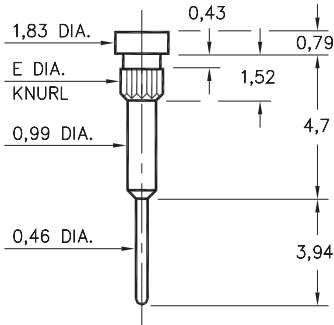


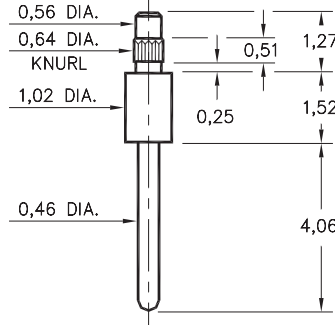
1067



Basic Part Number	Knurl Dia. E	Mounting Hole
1067-1	1,47	1,40
1067-2	1,14	1,07

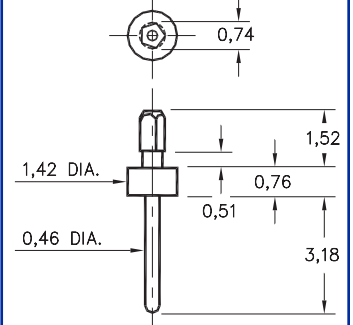
1067-X-00-XX-00-00-03-0
Press-fit in 1,07/1,40 mounting hole

3158



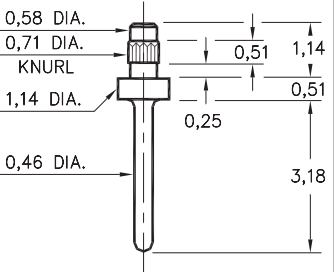
3158-0-00-XX-00-00-03-0
Press-fit in 0,58 mounting hole

9000



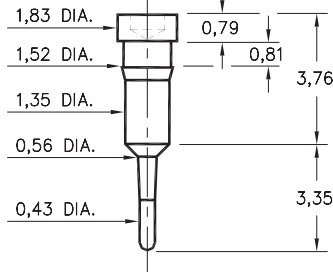
9000-0-00-XX-00-00-03-0
Pentagonal press-fit in 0,64 plated thru hole

3157



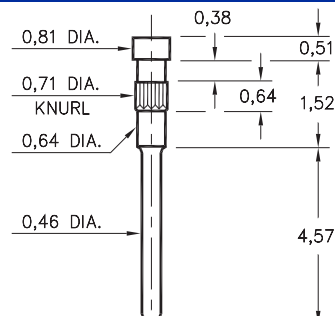
3157-0-00-XX-00-00-03-0
Press-fit in 0,66 mounting hole

0915



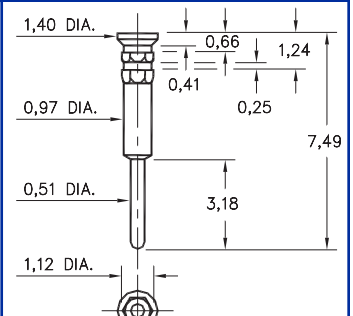
0915-0-00-XX-00-00-03-0
Press-fit in 1,45 mounting hole

3154



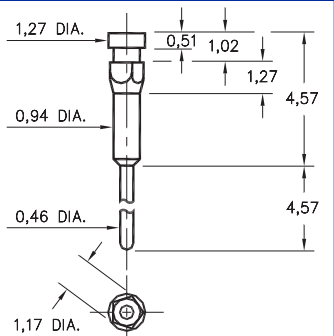
3154-0-00-XX-00-00-03-0
Press-fit in 0,66 mounting hole
Pin material is Ph Br 544 (B2)

0542



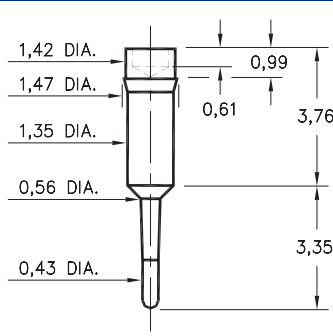
0542-0-00-XX-00-00-03-0
Hex press-fit in 0,99 plated thru hole

0522



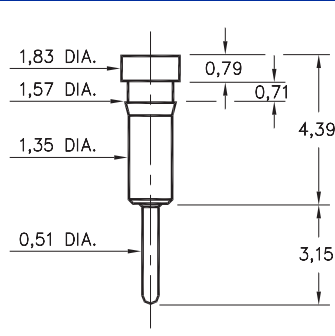
0522-0-00-XX-00-00-03-0
Pentagonal press-fit in 1,07 plated thru hole

0952



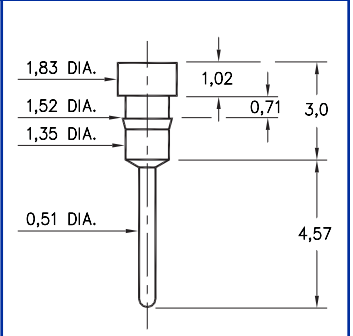
0952-0-00-XX-00-00-03-0
Press-fit in 1,42 mounting hole

0257



0257-0-00-XX-00-00-03-0
Press-fit in 1,50 mounting hole

8940



8940-0-00-XX-00-00-03-0
Press-fit in 1,45 mounting hole

SPECIFICATIONS

PIN MATERIAL:
Brass Alloy 360, 1/2 Hard
(Except where noted)

DIMENSION IN INCHES
TOLERANCES ON:
LENGTHS: ±0,13
DIAMETERS: ±0,05
ANGLES: ± 2°

ORDER CODE: XXXX - X - 00 - XX - 00 - 00 - 03 - 0

BASIC PART #

SPECIFY PIN FINISH:

- 01 5,08µm TIN/LEAD OVER NICKEL
- ◇ 80 5,08µm TIN OVER NICKEL (RoHS)
- ◇ 15 0,25µm GOLD OVER NICKEL (RoHS)
- ◇ 21 0,51µm GOLD OVER NICKEL (RoHS)
- ◇ 34 1,27µm GOLD OVER NICKEL (RoHS)

