

4

3

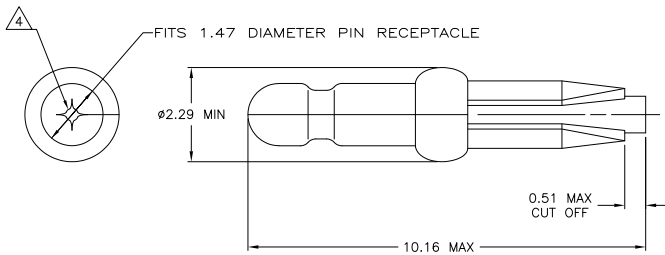
2

1

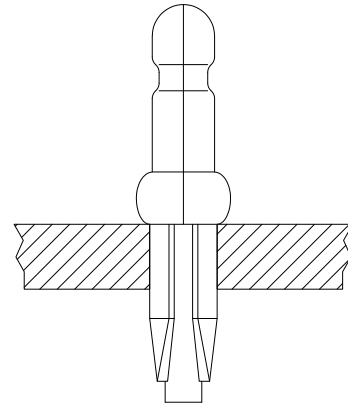
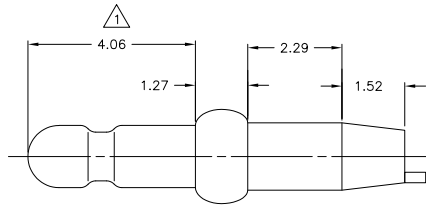
THIS DRAWING IS UNPUBLISHED. RELEASED FOR PUBLICATION.
 © COPYRIGHT BY TYCO ELECTRONICS CORPORATION. ALL INTERNATIONAL RIGHTS RESERVED.

LOC	DIST	REVISIONS			
F	LNK	DESCRIPTION	DATE	BY	APPD
CM	52				
	AH1	REVISED PER ECO-08-022148	05SEP08	HMR	FD

- 1 0.00076 MIN GOLD PLATING IN THIS AREA WITH 0.00381 MIN MATTE TIN LEAD ON THE REMAINDER, BOTH OVER 0.00127 MIN NICKEL UNDERPLATE.
- 2 FITS 1.47 - 1.57 DIAMETER HOLE IN A 1.57 OR 2.36 PRINTED CIRCUIT BOARD.
- 3 PARTS TO COMPLY WITH AMP SOLDERABILITY SPECIFICATION 109-11-3.
- 4 0.05 - 0.25 DIAMETER OPENING REQUIRED IN TIP OF PIN.
- 5 APPLICATOR FEED: 8.00 - 8.26
- 6 0.00076 MIN GOLD PLATING IN THIS AREA WITH 0.00381 MIN TIN ON THE REMAINDER, BOTH OVER 0.00127 MIN NICKEL UNDERPLATE.



FITS 1.47 DIAMETER PIN RECEPTACLE



0.13	.005	1.52	.060	8.00	.315	-	-
0.05	.002	1.47	.058	4.06	.160	-	-
0.00381	0.00150	1.27	.050	2.36	.093	-	-
0.00127	0.00050	0.51	.020	2.29	.090	10.16	.400
0.00076	0.00030	0.25	.010	1.57	.062	8.26	.325
MM	IN	MM	IN	MM	IN	MM	IN

CONVERSION TABLE



THIS DRAWING IS A CONTROLLED DOCUMENT.		DN	T. BECK	8-20-97	3-60874-2	
DIMENSIONS: mm		CHK	SWING	8-20-97	60874-2	
TOLERANCES UNLESS OTHERWISE SPECIFIED:		R			60874-1	
0 PLG ± -		APD	9-10-97	NAME	PART NUMBER	
1 PLG ± -		A. BRIDGICK		Tyco Electronics Corporation		
2 PLG ± 0.13		PRODUCT SPEC		Harrisburg, PA 17105-3608		
3 PLG ± -		108-1025		PIN, .058 DIAMETER,		
4 PLG ± -		APPLICATION SPEC		PHOSPHOR BRONZE, PRESS FIT,		
ANGLES ± -		114-1008		LOOSE PIECE, P.C. CONTACT		
MATERIAL	0.25 PH BRZ	SIZE	A2	CAGE CODE (DRAWING NO)	00779	RESTRICTED TO
FINISH	SEE TABLE	WEIGHT	-	C=	60874	-
CUSTOMER DRAWING				SCALE	15:1	SHEET 1 of 1
				REV	AH1	