

4

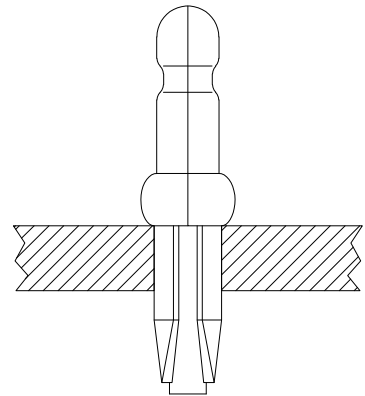
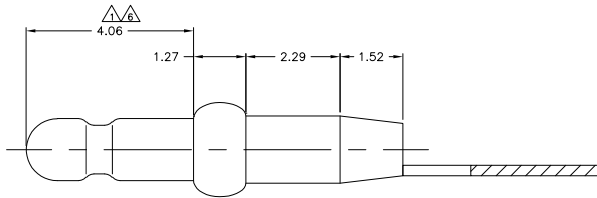
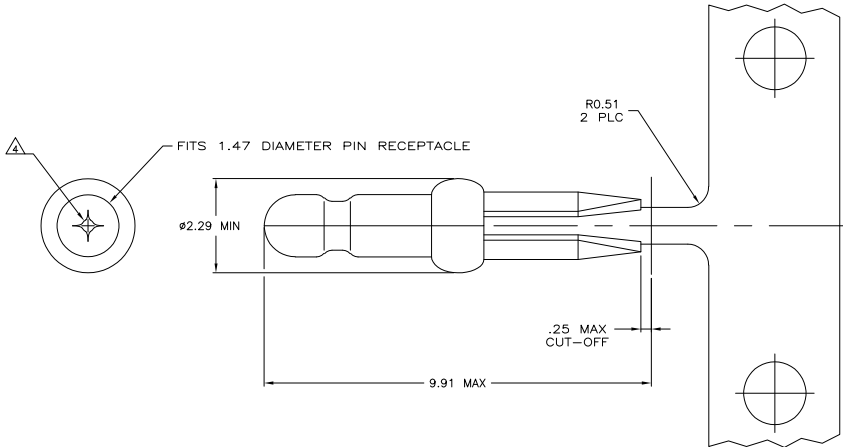
3

2

1

THIS DRAWING IS UNPUBLISHED. RELEASED FOR PUBLICATION
 © COPYRIGHT BY TYCO ELECTRONICS CORPORATION. ALL RIGHTS RESERVED.

LOC	DIST	REVISIONS		
F	LR	DESCRIPTION	DATE	BY
CM	52	AK1	ECO-06-017747	28JUL06 BSV JE



- 1. 0.00076 MIN GOLD PLATING IN THIS AREA WITH 0.00381 MIN MATTE TIN LEAD ON THE REMAINDER, BOTH OVER 0.00127 MIN NICKEL UNDERPLATE.
- 2. FITS 1.47 - 1.57 DIAMETER HOLE IN A 1.57 OR 2.36 PRINTED CIRCUIT BOARD.
- 3. PARTS TO COMPLY WITH AMP SOLDERABILITY SPECIFICATION 109-11-3.
- 4. 0.05 - 0.25 DIAMETER OPENING REQUIRED IN TIP OF PIN.
- 5. APPLICATOR FEED: 8.00 - 8.26.
- 6. 0.00076 MIN GOLD PLATING IN THIS AREA WITH 0.00381 MIN MATTE TIN ON THE REMAINDER, BOTH OVER 0.00127 MIN NICKEL UNDERPLATE.

MM	IN	MM	IN	MM	IN	MM	IN
0.13	.005	1.52	.060	8.00	.315	-	-
0.05	.002	1.47	.058	4.06	.160	-	-
0.00381	0.000150	1.27	.050	2.36	.093	-	-
0.00127	0.000050	0.51	.020	2.29	.090	9.91	.390
0.00076	0.000030	0.25	.010	1.57	.062	8.26	.325
MM	IN	MM	IN	MM	IN	MM	IN

CONVERSION TABLE



THIS DRAWING IS A CONTROLLED DOCUMENT.

DIMENSIONS: mm	TO DIMENSIONS UNLESS OTHERWISE SPECIFIED.	DRN: T. BECK 2944497	CHK: SWING 2944497	DATE: 10SEP97	NAME: A. BEDDICK
MATERIAL: 0.25 PH BRZ	FINISH: SEE TABLE	PRODUCT SPEC: 108-1025	APPLICATION SPEC: 114-1008	WEIGHT: -	CUSTOMER DRAWING

3-60809-2	60809-2	60809-1	PART NUMBER
PRE TIN FINISH			

Tyco Electronics Corporation
 Harrisburg, Pa 17105-3608

PIN, .058 DIAMETER, PHOSPHOR BRONZE, PRESS FIT, P.C. CONTACT

SIZE: A2 CASE CODE: C-60809 DRAWING NO: 00779

RESTRICTED TO: -

SCALE: 15:1 SHEET: 1 OF 1 REV: AK1

60809

A