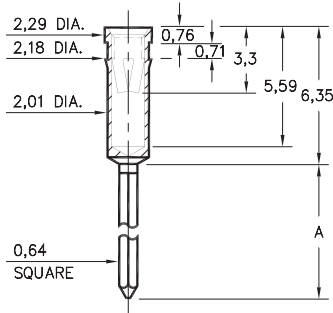


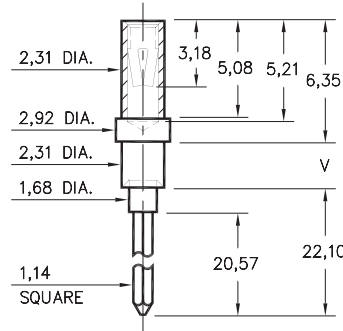
## 1052/1053



Basic Part Number	# of Wraps	Length A
1053-2	2	9,14
1052-3	3	13,08

**105X-X-17-XX-34-XX-02-0**  
Press-fit in 2,11 mounting hole

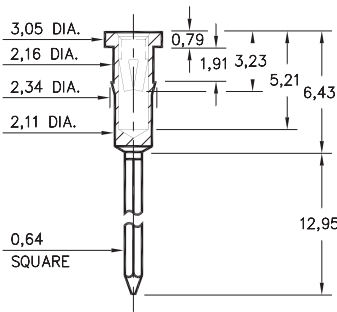
## 0383



Basic Part Number	Board Thickness	Length V
0383-1	1,57	2,39
0383-2	2,39	3,18
0383-3	3,18	3,96

**0383-X-17-XX-34-XX-02-0**  
Swage mount in 2,39 hole

## 0382



**0382-3-17-XX-34-XX-02-0**  
Press-fit in 2,26 mounting hole

### SPECIFICATIONS

**SHELL MATERIAL:**  
Brass Alloy 360, 1/2 Hard

**CONTACT MATERIAL:**  
Beryllium Copper Alloy 172, HT

**DIMENSION IN INCHES**  
**TOLERANCES ON:**  
LENGTHS: ±0,13  
DIAMETERS: ±0,05  
ANGLES: ± 2°

**ORDER CODE: XXXX - X - 17 - XX - 34 - XX - 02 - 0**

**BASIC PART #**

**SPECIFY SHELL FINISH:**  
**01** 5,08µm TIN/LEAD OVER NICKEL  
**80** 5,08µm TIN OVER NICKEL (RoHS)  
**15** 0,25µm GOLD OVER NICKEL (RoHS)

**SPECIFY CONTACT FINISH:**  
**01** 5,08µm TIN/LEAD OVER NICKEL  
**80** 5,08µm TIN OVER NICKEL (RoHS)  
**27** 0,76µm GOLD OVER NICKEL (RoHS)



**CONTACT**

#34 CONTACT (DATA ON PAGE 222)