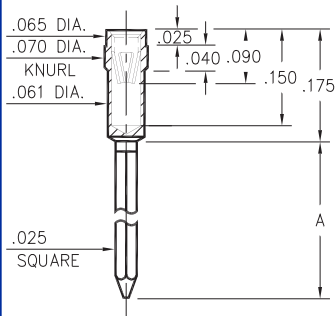


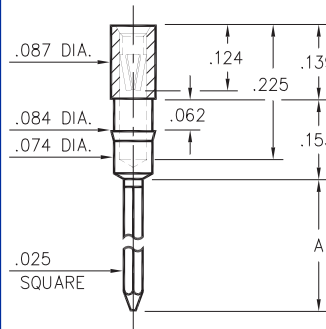
## 2297



| Basic Part Number | # of Wraps | Length A |
|-------------------|------------|----------|
| 2297-2            | 2          | .370     |
| 2297-3            | 3          | .430     |

**2297-X-17-XX-16-XX-02-0**  
Press-fit in .067 mounting hole

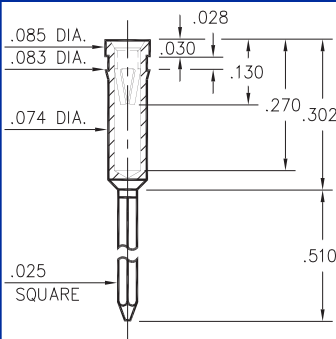
## 0280



| Basic Part Number | # of Wraps | Length A |
|-------------------|------------|----------|
| 0280-2            | 2          | .360     |
| 0280-3            | 3          | .510     |

**0280-X-17-XX-06-XX-02-0**  
Press-fit in .081 mounting hole

## 0281



**0281-3-17-XX-06-XX-02-0**  
Press-fit in .080 mounting hole

### SPECIFICATIONS

**SHELL MATERIAL:**  
Brass Alloy 360, 1/2 Hard

**CONTACT MATERIAL:**  
Beryllium Copper Alloy 172, HT

**DIMENSION IN INCHES**  
**TOLERANCES ON:**  
LENGTHS: ±.005  
DIAMETERS: ±.002  
ANGLES: ± 2°

**ORDER CODE: XXXX - X - 17 - XX - XX - XX - 02 - 0**

**BASIC PART #** →

**SPECIFY SHELL FINISH:**  
01 200μ" TIN/LEAD OVER NICKEL  
◇ 80 200μ" TIN OVER NICKEL (RoHS)  
◇ 15 10μ" GOLD OVER NICKEL (RoHS)

**SPECIFY CONTACT FINISH:**  
01 200μ" TIN/LEAD OVER NICKEL  
◇ 80 200μ" TIN OVER NICKEL (RoHS)  
◇ 27 30μ" GOLD OVER NICKEL (RoHS)



**SELECT CONTACT**

#06 or #16 CONTACT (DATA ON PAGES 220 & 221)