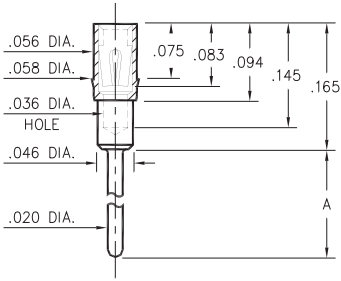


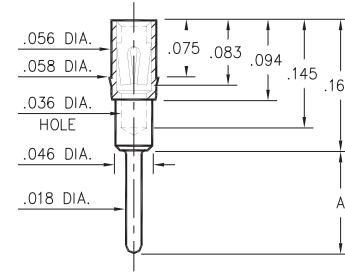
1802/3802/4030/8866



Basic Part Number	Length A
1802-0	.125
3802-0	.165
8866-0	.775
4030-0	.815

XXXX-0-15-XX-43-XX-04-0
Press-fit in .057 mounting hole

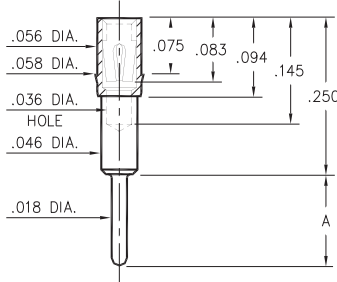
1803/1805/1808/3805



Basic Part Number	Length A
1808-0	.100
1803-0	.145
1805-0	.213
3805-0	.393

XXXX-0-15-XX-43-XX-04-0
Press-fit in .057 mounting hole

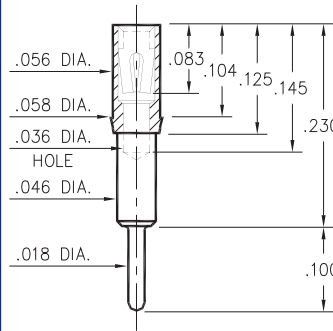
1804/1806



Basic Part Number	Length A
1804-0	.080
1806-0	.115

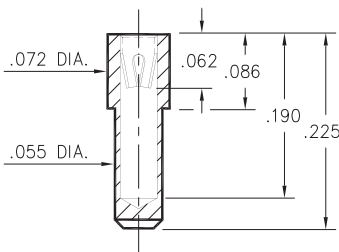
180X-0-15-XX-43-XX-04-0
Press-fit in .057 mounting hole

1807



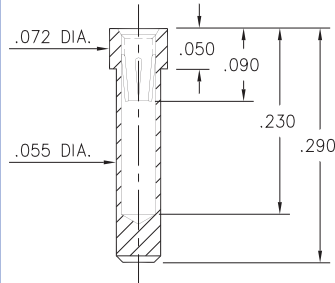
1807-0-15-XX-43-XX-04-0
Press-fit in .057 mounting hole

8830



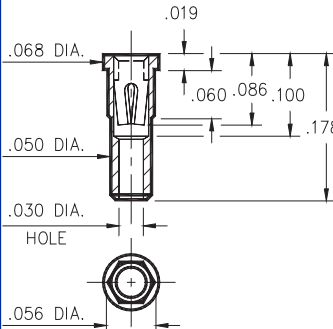
8830-0-15-XX-22-XX-10-0
Solder mount in .057 min. mounting hole

8363



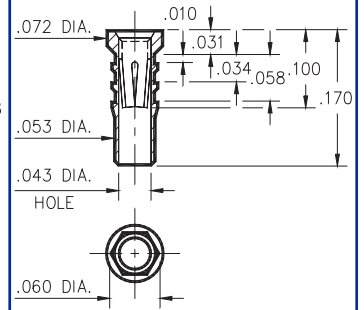
8363-0-15-XX-35-XX-10-0
Solder mount in .057 min. mounting hole

4622



4622-0-15-XX-30-XX-10-0
Hex press-fit in .053 plated thru hole

6252



6252-0-15-XX-32-XX-10-0
Hex press-fit in .057 plated thru hole

SPECIFICATIONS

SHELL MATERIAL:
Brass Alloy 360, 1/2 Hard

CONTACT MATERIAL:
Beryllium Copper Alloy 172, HT

DIMENSION IN INCHES
TOLERANCES ON:
LENGTHS: ±.005
DIAMETERS: ±.002
ANGLES: ± 2°

ORDER CODE: XXXX - X - 15 - XX - XX - XX - XX - 0

BASIC PART #

SPECIFY SHELL FINISH:
01 200μ" TIN/LEAD OVER NICKEL
◇ 80 200μ" TIN OVER NICKEL (RoHS)
◇ 15 10μ" GOLD OVER NICKEL (RoHS)

SPECIFY CONTACT FINISH:
02 100μ" TIN/LEAD OVER NICKEL
◇ 84 100μ" TIN OVER NICKEL (RoHS)
◇ 27 30μ" GOLD OVER NICKEL (RoHS)



SELECT CONTACT

#22, #30, #32 or #43 CONTACT (DATA ON PAGES 218,219 & 220)