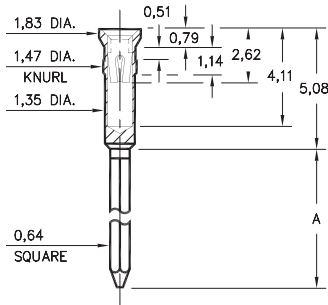


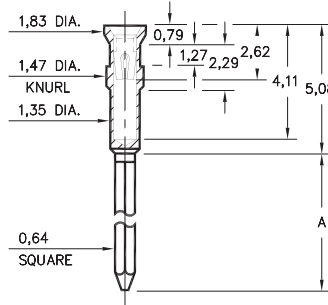
## 0444



Basic Part Number	# of Wraps	Length A
0444-1	1	6,6
0444-2	2	9,4
0444-3	3	12,83

**0444-X-17-XX-30-XX-02-0**  
Press-fit in 1,42 mounting hole

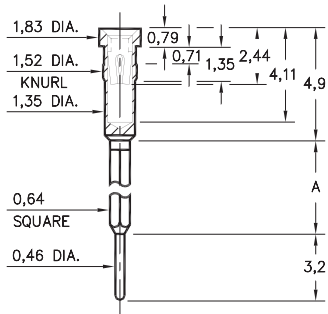
## 0445



Basic Part Number	# of Wraps	Length A
0445-3	3	12,83

**0445-X-17-XX-30-XX-02-0**  
Press-fit in 1,42 mounting hole

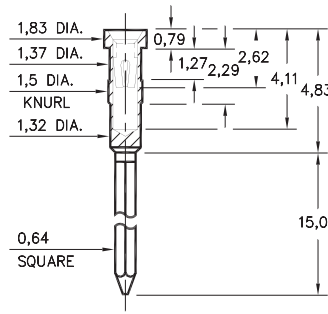
## 2601 ⇒ 2603



Basic Part Number	# of Wraps	Length A
2601-0	1	5,89
2602-0	2	8,89
2603-0	3	11,89

**260X-X-17-XX-30-XX-02-0**  
Press-fit in 1,45 mounting hole

## 1047



**1047-3-17-XX-30-XX-02-0**  
Press-fit in 1,42 mounting hole

### SPECIFICATIONS

**SHELL MATERIAL:**  
Brass Alloy 360, 1/2 Hard

**CONTACT MATERIAL:**  
Beryllium Copper Alloy 172, HT

**DIMENSION IN INCHES**  
**TOLERANCES ON:**  
LENGTHS: ±0,13  
DIAMETERS: ±0,05  
ANGLES: ± 2°

**ORDER CODE: XXXX - X - 17 - XX - 30 - XX - 02 - 0**

**BASIC PART #**

**SPECIFY SHELL FINISH:**  
01 5,08µm TIN/LEAD OVER NICKEL  
◇ 80 5,08µm TIN OVER NICKEL (RoHS)  
◇ 15 0,25µm GOLD OVER NICKEL (RoHS)

**SPECIFY CONTACT FINISH:**  
02 2,54µm TIN/LEAD OVER NICKEL  
◇ 84 2,54µm TIN OVER NICKEL (RoHS)  
◇ 27 0,76µm GOLD OVER NICKEL (RoHS)



**CONTACT**

#30 CONTACT (DATA ON PAGE 218)