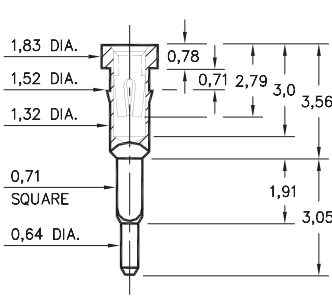


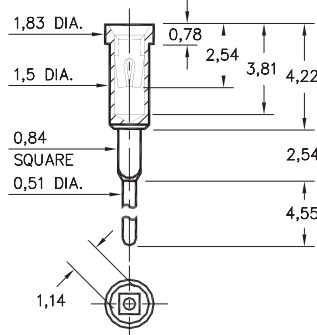
### 7132



#### 7132-0-15-XX-30-XX-04-0

Square press-fit for 0,81 ±0,05 plated thru hole

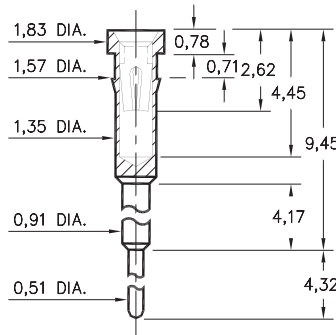
### 8445



#### 8445-0-15-XX-30-XX-04-0

Square press-fit for 0,99 ±0,05 plated thru hole

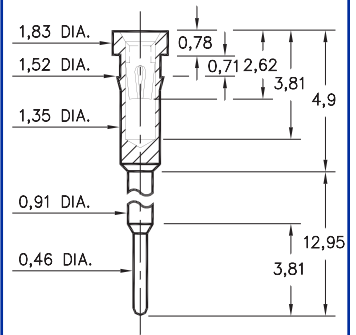
### 1038



#### 1038-0-15-XX-30-XX-04-0

Press-fit in 1,5 mounting hole

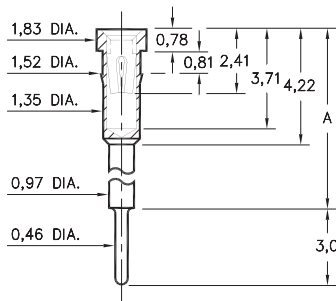
### 1261



#### 1261-0-15-XX-30-XX-04-0

Press-fit in 1,45 mounting hole

### 0153

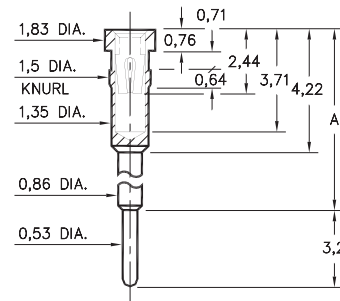


#### 0153-X-15-XX-30-XX-04-0

Press-fit in 1,45 mounting hole

Basic Part Number	Height A
0153-1	5,99
0153-2	8,0
0153-3	10,21
0153-4	11,99
0153-5	15,09
0153-6	17,75

### 1602/1610

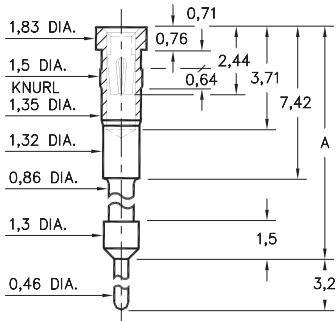


#### 16XX-0-15-XX-30-XX-04-0

Press-fit in 1,45 mounting hole

Basic Part Number	Height A
1602-0	11,2
1610-0	16,31

### 0903/0904

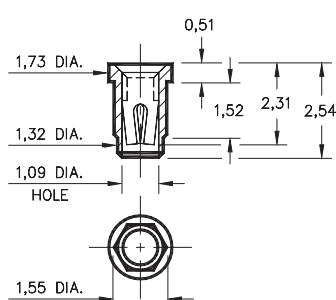


#### 090X-0-15-XX-30-XX-04-0

Press-fit in 1,45 mounting hole

Basic Part Number	Height A
0903-0	21,36
0904-0	28,98

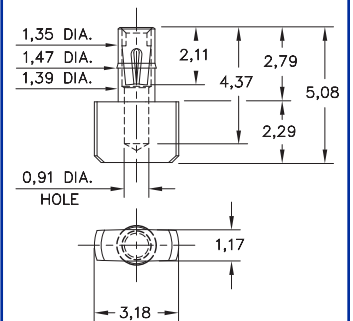
### 8252



#### 8252-0-15-XX-30-XX-10-0

Press-fit in 1,45 plated thru hole

### 4078



#### 4078-0-15-XX-30-XX-40-0

Press-fit in 1,45 mounting hole

## SPECIFICATIONS

**SHELL MATERIAL:**  
Brass Alloy 360, 1/2 Hard

**CONTACT MATERIAL:**  
Beryllium Copper Alloy 172, HT

**DIMENSION IN INCHES**  
**TOLERANCES ON:**  
LENGTHS: ±0,13  
DIAMETERS: ±0,05  
ANGLES: ± 2°

**ORDER CODE: XXXX - X - 15 - XX - 30 - XX - XX - 0**

**BASIC PART #**

**SPECIFY SHELL FINISH:**  
01 5,08µm TIN/LEAD OVER NICKEL  
◇ 80 5,08µm TIN OVER NICKEL (RoHS)  
◇ 15 0,25µm GOLD OVER NICKEL (RoHS)

**SPECIFY CONTACT FINISH:**  
02 2,54µm TIN/LEAD OVER NICKEL  
◇ 84 2,54µm TIN OVER NICKEL (RoHS)  
◇ 27 0,76µm GOLD OVER NICKEL (RoHS)



**CONTACT**

#30 CONTACT (DATA ON PAGES 218)