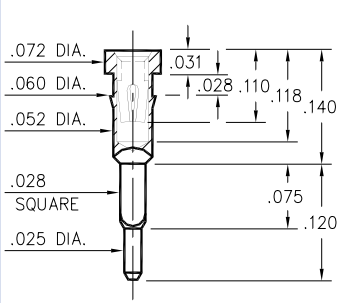
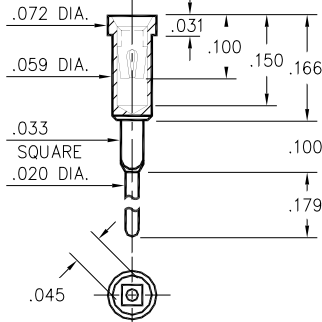


### 7132



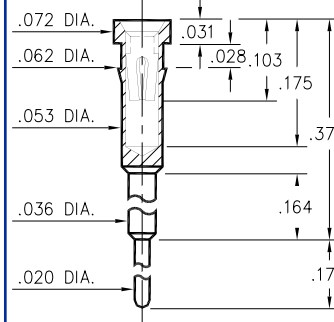
**7132-0-15-XX-30-XX-04-0**  
Square press-fit for .032 ±.002 plated thru hole

### 8445



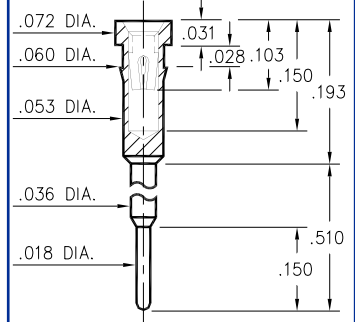
**8445-0-15-XX-30-XX-04-0**  
Square press-fit for .039 ±.002 plated thru hole

### 1038



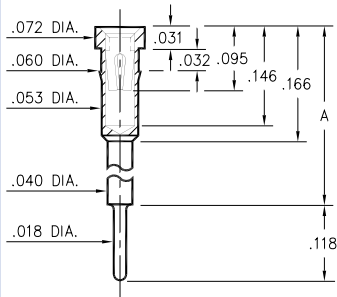
**1038-0-15-XX-30-XX-04-0**  
Press-fit in .059 mounting hole

### 1261



**1261-0-15-XX-30-XX-04-0**  
Press-fit in .057 mounting hole

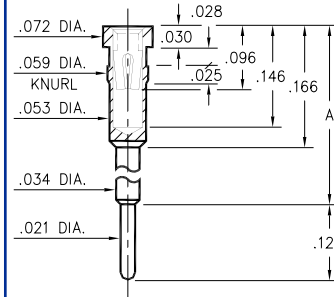
### 0153



**0153-X-15-XX-30-XX-04-0**  
Press-fit in .057 mounting hole

Basic Part Number	Height A
0153-1	.236
0153-2	.315
0153-3	.402
0153-4	.472
0153-5	.594
0153-6	.699

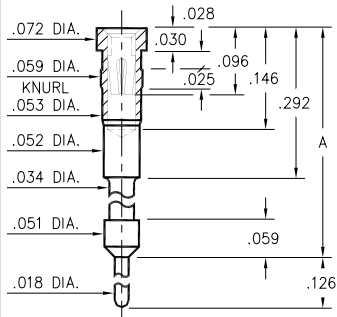
### 1602/1610



**16XX-0-15-XX-30-XX-04-0**  
Press-fit in .057 mounting hole

Basic Part Number	Height A
1602-0	.441
1610-0	.642

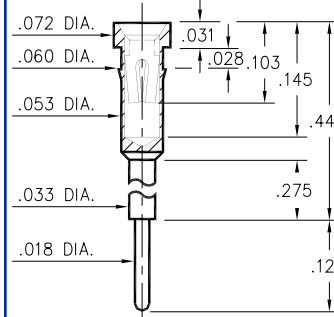
### 0903/0904



**090X-0-15-XX-30-XX-04-0**  
Press-fit in .057 mounting hole

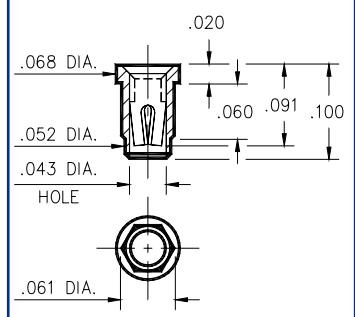
Basic Part Number	Height A
0903-0	.841
0904-0	1.141

### 0144



**0144-0-15-XX-30-XX-04-0**  
Press-fit in .057 mounting hole

### 8252



**8252-0-15-XX-30-XX-10-0**  
Press-fit in .057 plated thru hole

## SPECIFICATIONS

**SHELL MATERIAL:**  
Brass Alloy 360, 1/2 Hard

**CONTACT MATERIAL:**  
Beryllium Copper Alloy 172, HT

**DIMENSION IN INCHES**

**TOLERANCES ON:**

LENGTHS: ±.005

DIAMETERS: ±.002

ANGLES: ± 2°

**ORDER CODE: XXXX - X - 15 - XX - 30 - XX - XX - 0**

**BASIC PART #** →

**SPECIFY SHELL FINISH:** →

**01** 200μ" TIN/LEAD OVER NICKEL

**15** 10μ" GOLD OVER NICKEL

**SPECIFY CONTACT FINISH:**

**02** 200μ" TIN/LEAD OVER NICKEL

**14** 10μ" GOLD OVER NICKEL

**27** 30μ" GOLD OVER NICKEL

**SELECT CONTACT**

**#30 CONTACT (DATA ON PAGE 208)**