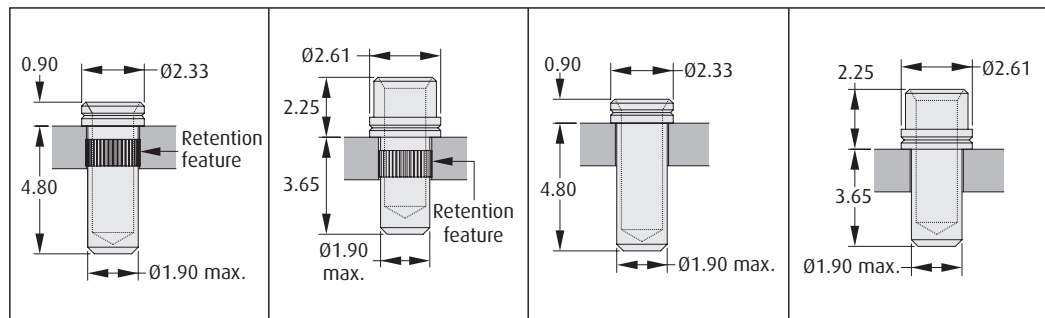


PC Board Sockets

Ø0.80mm Mating pin

- ❖ Compatible with Ø0.80mm mating pins – see table below.
- ❖ Knurled option available for added board retention.
- ❖ Customised shell designs available on request – contact technical@harwin.com.
- ❖ See the next page for sockets compatible with Ø1.00mm mating pins, and page 174 for sockets compatible with Ø2.00mm mating pins.



ORDER CODE	H8501-XX	H8502-XX	H8504-XX	H8505-XX
Contact Depth	3.30mm	3.30mm	3.30mm	3.30mm
Max. Pin Length	4.65mm	4.85mm	4.65mm	4.85mm
Mounting Hole	Ø1.91-1.96mm	Ø1.91-1.96mm	Ø1.91-2.01mm	Ø1.91-2.01mm
Mating Pin Size	Ø0.60-0.85mm	Ø0.60-0.85mm	Ø0.60-0.85mm	Ø0.60-0.85mm

HOW TO ORDER

H85 XX - XX

SERIES CODE

SEE TABLE ABOVE

FINISH

01	Gold contact, tin shell	Ⓟ
05	Gold contact, gold shell	Ⓟ

All dimensions in mm.

www.harwin.com

