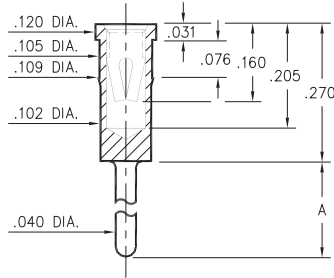


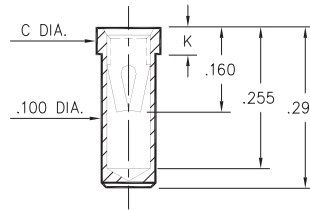
## 0433/8433



Basic Part Number	Length A
0433-0	.120
8433-0	.330

**X433-0-15-XX-03-XX-04-0**  
Press-fit in .106 mounting hole

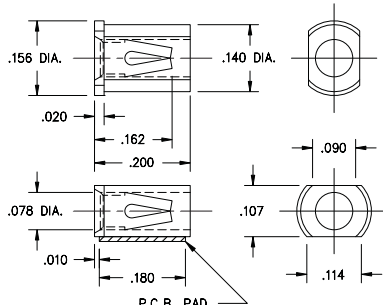
## 0435/0436



Basic Part Number	Dia. C	Length K
0435-0	.118	.050
0436-0	.125	.070

**0435-0-15-XX-03-XX-10-0**  
Solder mount in .102 min. mounting hole  
Also available on 24mm wide carrier tape: 950 parts per 13" reel.  
Order as: 0435-0-57-XX-03-XX-10-0

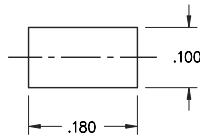
## 4064



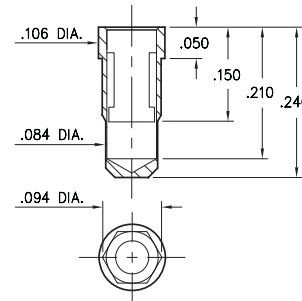
**4064-0-18-XX-03-XX-40-0**  
Surface mount  
Also available on 16mm wide carrier tape: 2,400 parts per 13" reel.  
Order as: 4064-0-58-XX-03-XX-40-0



P.C.B. Layout



## 0342

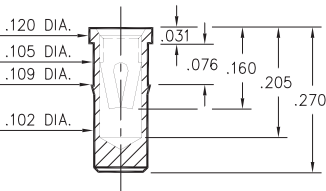


• 0342 receptacle uses Mill-Max's new #42 Contact. This receptacle will accept the  $\varnothing.061 \pm .002$  power pins of 1/4 brick DC/DC converters.

• #42 contact can be ordered in standard receptacles that use #03 contact; or it can be specified as the spring element inside custom made receptacles.

**0342-0-15-XX-42-XX-10-0**  
Hex press-fit in  $.090 \pm .002$  plated thru hole

## 0434



**0434-0-15-XX-03-XX-10-0**  
Press-fit in .106 mounting hole

### Mechanical Data #42 Contact:

Insertion/Extraction Force with a  $\varnothing.061$  (nominal) pin:

First Cycle		2nd & Subsequent Cycles	
Insertion Force	Extraction Force	Insertion Force	Extraction Force
20N	6N	10N	6N

Compliance Test (the "spring back" characteristic of the contact to accept  $\varnothing.059$  small pin after insertion of a  $\varnothing.063$  large pin) :

Initial Cycle with $\varnothing.059$ pin		Second Cycle with $\varnothing.063$ pin		Third Cycle with $\varnothing.059$ pin	
Ins. Force	Ext. Force	Ins. Force	Ext. Force	Ins. Force	Ext. Force
18N	6N	22N	7N	3N	2N

(Insertion/Extraction Forces are in Newtons and measured with polished steel gage pins having elliptical shaped tips).

## SPECIFICATIONS

**SHELL MATERIAL:**  
Brass Alloy 360, 1/2 Hard

**CONTACT MATERIAL:**  
Beryllium Copper Alloy 172, HT

**DIMENSION IN INCHES TOLERANCES ON:**  
LENGTHS:  $\pm .005$   
DIAMETERS:  $\pm .002$   
ANGLES:  $\pm 2^\circ$

ORDER CODE: **XXXX - X - 1X - XX - XX - XX - XX - 0**

BASIC PART #

**SPECIFY SHELL FINISH:**  
01 200 $\mu$ " TIN/LEAD OVER NICKEL  
◇ 80 200 $\mu$ " TIN OVER NICKEL (RoHS)  
◇ 15 10 $\mu$ " GOLD OVER NICKEL (RoHS)

**SPECIFY CONTACT FINISH:**  
01 200 $\mu$ " TIN/LEAD OVER NICKEL  
◇ 80 200 $\mu$ " TIN OVER NICKEL (RoHS)  
◇ 27 30 $\mu$ " GOLD OVER NICKEL (RoHS)



SELECT CONTACT

#03 or #42 CONTACT (DATA ON PAGE 224)