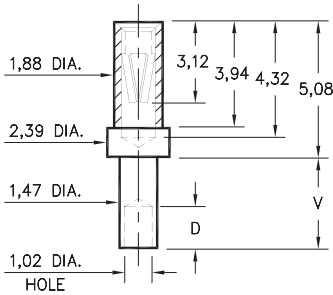


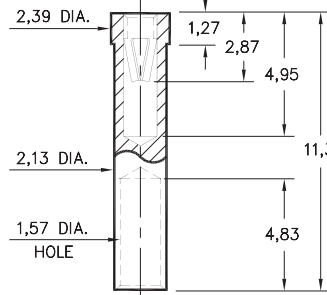
0326



Basic Part Number	Board Thickness	Length V	Depth D
0326-1	0,79	1,57	1,02
0326-2	1,57	2,39	1,57
0326-3	2,39	3,18	1,57
0326-4	3,18	3,96	1,57

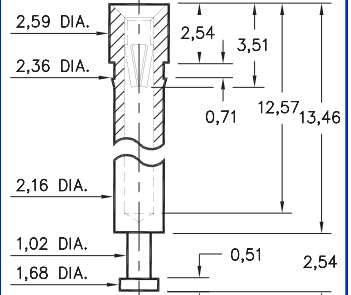
0326-X-19-XX-06-XX-10-0
Swage mount in 1,52 hole

5295



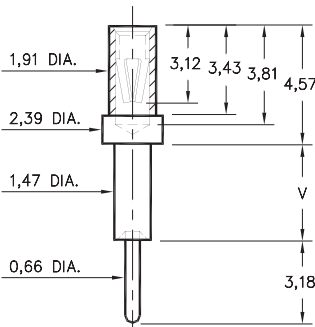
5295-0-19-XX-06-XX-10-0
Solder mount in 2,18 min. mounting hole

0396



0396-0-15-XX-06-XX-10-0
Press-fit in 2,29 mounting hole

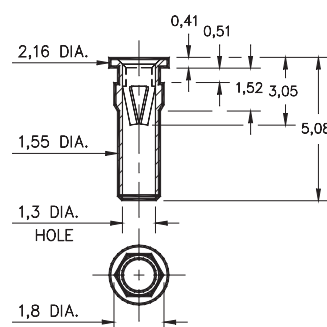
0298



Basic Part Number	Board Thickness	Length V
0298-1	0,79	1,3
0298-2	1,57	2,08
0298-3	2,39	2,87
0298-4	3,18	3,68

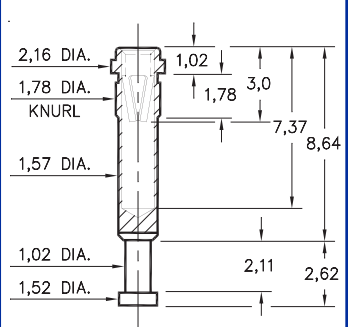
0298-X-15-XX-06-XX-10-0
Swage mount in 1,52 hole

9293



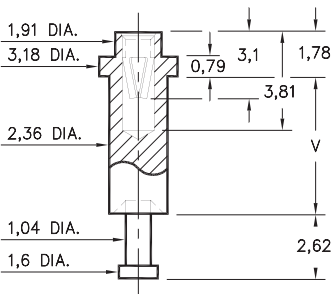
9293-0-15-XX-06-XX-10-0
Hex press-fit in 1,7 plated thru hole

8864



8864-0-15-XX-06-XX-10-0
Press-fit in 1,7 mounting hole

0664



Basic Part Number	Board Thickness	Length V
0664-1	2,39	3,18
0664-2	3,18	3,96
0664-3	4,78	5,56

0664-X-15-XX-06-XX-10-0
Swage mount in 2,44 hole

SPECIFICATIONS

SHELL MATERIAL:
Brass Alloy 360, 1/2 Hard

CONTACT MATERIAL:
Beryllium Copper Alloy 172, HT

DIMENSION IN INCHES TOLERANCES ON:
LENGTHS: ±0,13
DIAMETERS: ±0,05
ANGLES: ± 2°

ORDER CODE: **XXXX - X - 1X - XX - 06 - XX - 10 - 0**

BASIC PART #

SPECIFY SHELL FINISH:
01 5,08µm TIN/LEAD OVER NICKEL
◇ 80 5,08µm TIN OVER NICKEL (RoHS)
◇ 15 0,25µm GOLD OVER NICKEL (RoHS)

SPECIFY CONTACT FINISH:
01 5,08µm TIN/LEAD OVER NICKEL
◇ 80 5,08µm TIN OVER NICKEL (RoHS)
◇ 27 0,76µm GOLD OVER NICKEL (RoHS)



CONTACT

#06 CONTACT (DATA ON PAGE 220)