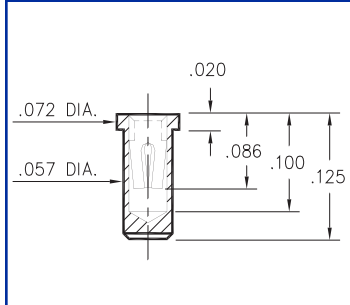
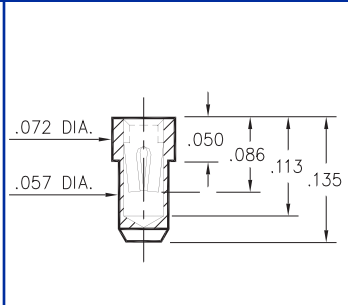


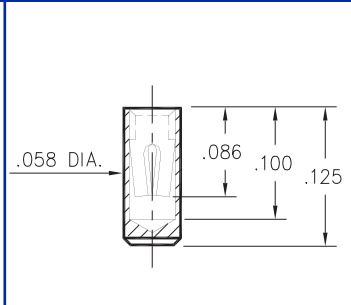
0669 0670 0673 0666



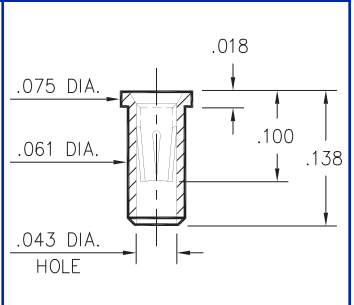
0669-0-15-XX-30-XX-10-0
Solder mount in .060 min. mounting hole
Also available on 16mm wide carrier tape: 1,700 parts per 13" reel.
Order as: 0669-0-57-XX-30-XX-10-0



0670-0-15-XX-30-XX-10-0
Solder mount in .060 min. mounting hole

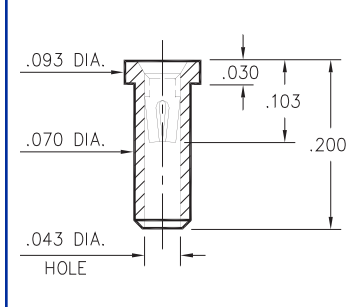


0673-0-15-XX-30-XX-10-0
Surface Mount

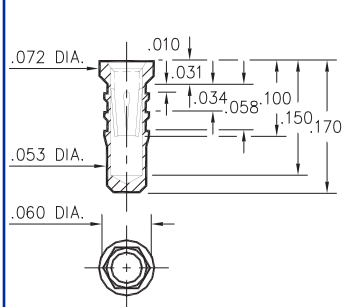


0666-0-15-XX-32-XX-10-0
Solder mount in .064 min. mounting hole
Also available on 24mm wide carrier tape: 1,500 parts per 13" reel.
Order as: 0666-0-57-XX-32-XX-10-0

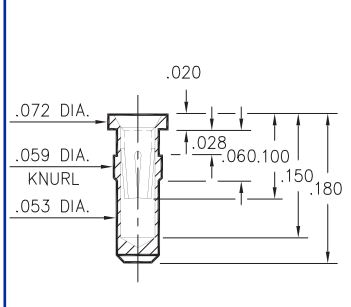
0341 0252 0678 0676



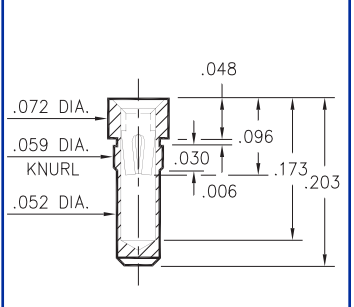
0341-0-15-XX-30-XX-10-0
Solder mount in .073 mounting hole
Also available on 12mm wide carrier tape: 1,400 parts per 13" reel.
Order as: 0341-0-57-XX-30-XX-10-0



0252-0-15-XX-32-XX-10-0
Hex press-fit in .057 plated thru hole

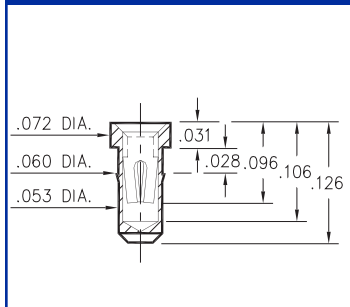


0678-0-15-XX-32-XX-10-0
Press-fit in .057 mounting hole

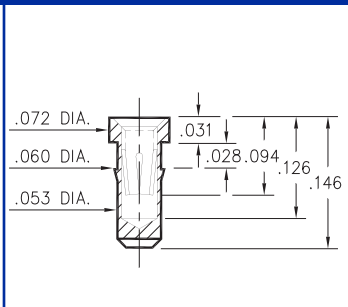


0676-0-15-XX-30-XX-10-0
Press-fit in .057 mounting hole

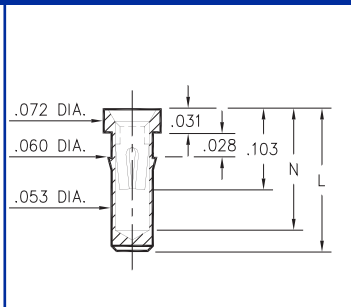
0697 0668 0253/1033



0697-0-15-XX-30-XX-10-0
Press-fit in .057 mounting hole



0668-0-15-XX-30-XX-10-0
Press-fit in .057 mounting hole



XXX3-0-15-XX-30-XX-10-0
Press-fit in .057 mounting hole

Basic Part Number	Length L	Depth N
0253-0	.173	.148
1033-0	.203	.162

SPECIFICATIONS

SHELL MATERIAL:
Brass Alloy 360, 1/2 Hard

CONTACT MATERIAL:
Beryllium Copper Alloy 172, HT

DIMENSION IN INCHES
TOLERANCES ON:
LENGTHS: ±.005
DIAMETERS: ±.002
ANGLES: ± 2°

ORDER CODE: XXXX - X - 15 - XX - XX - XX - 10 - 0

BASIC PART # →

SPECIFY SHELL FINISH:

- 01 200μ" TIN/LEAD OVER NICKEL
- ◇ 80 200μ" TIN OVER NICKEL (RoHS)
- ◇ 15 10μ" GOLD OVER NICKEL (RoHS)

SPECIFY CONTACT FINISH:

- 02 100μ" TIN/LEAD OVER NICKEL
- ◇ 84 100μ" TIN OVER NICKEL (RoHS)
- ◇ 27 30μ" GOLD OVER NICKEL (RoHS)

SELECT CONTACT
#30 or #32 CONTACT (DATA ON PAGES 218 & 219)

Downloaded from Elcodis.com electronic components distributor