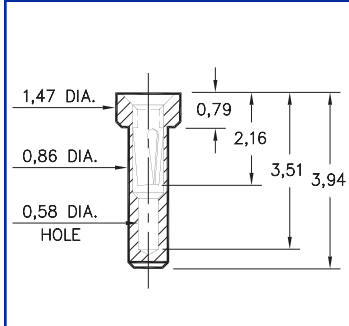
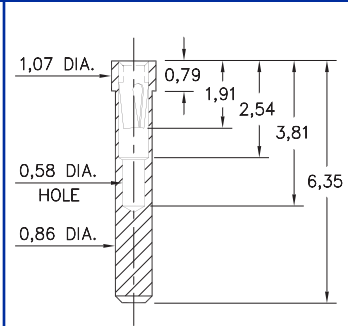


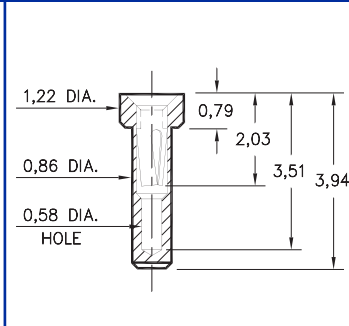
0548 8975 3016 9548



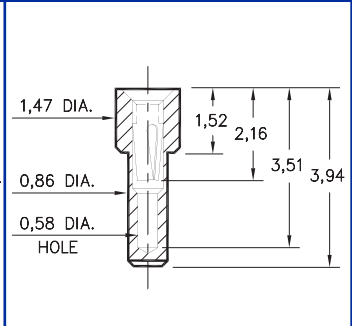
0548-0-15-XX-21-XX-10-0
Solder mount in 0,91 min. mounting hole



8975-0-15-XX-21-XX-10-0
Solder mount in 0,91 min. mounting hole

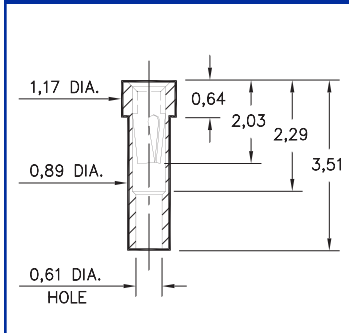


3016-0-15-XX-21-XX-10-0
Solder mount in 0,91 min. mounting hole

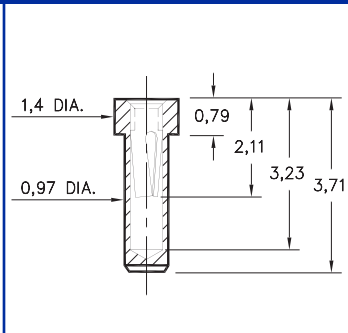


9548-0-15-XX-21-XX-10-0
Solder mount in 0,91 min. mounting hole

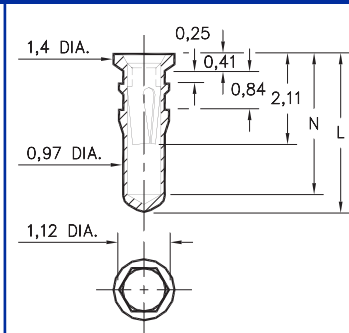
8637 1407 0553/8553



8637-0-15-XX-21-XX-10-0
Solder mount in 0,94 min. mounting hole



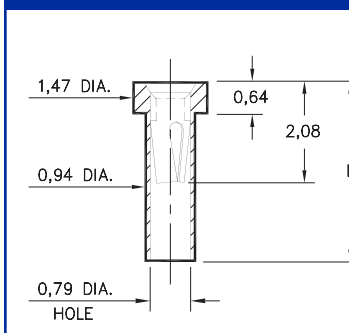
1407-0-15-XX-11-XX-10-0
Solder mount in 1,02 min. mounting hole



X553-X-15-XX-X1-XX-10-0
Hex press-fit in 1,04 plated thru hole

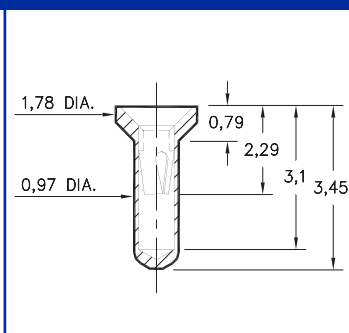
Basic Part Number	Length L	Depth N
0553-1	3,56	3,15
0553-2	4,32	3,91
0553-3	7,16	6,76
8553-0	6,22	5,82

0566 0442 0554

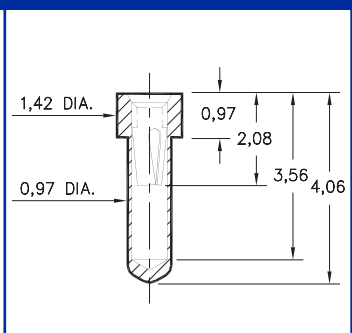


0566-X-15-XX-21-XX-10-0
Solder mount in 1,0 min. mounting hole

Basic Part Number	Length L
0566-1	2,11
0566-2	3,51



0442-0-15-XX-11-XX-10-0
Solder mount in 1,02 min. mounting hole



0554-0-15-XX-21-XX-10-0
Solder mount in 1,02 min. mounting hole

SPECIFICATIONS

SHELL MATERIAL:
Brass Alloy 360, 1/2 Hard

CONTACT MATERIAL:
Beryllium Copper Alloy 172, HT

DIMENSION IN INCHES TOLERANCES ON:
LENGTHS: ±0,13
DIAMETERS: ±0,05
ANGLES: ± 2°

ORDER CODE: XXXX - X - 15 - XX - XX - XX - 10 - 0

BASIC PART # **SPECIFY SHELL FINISH:**

 01 5,08µm TIN/LEAD OVER NICKEL

 ◇ 80 5,08µmTIN OVER NICKEL (RoHS)

 ◇ 15 0,25µm GOLD OVER NICKEL (RoHS)

SPECIFY CONTACT FINISH:

 02 2,54µm TIN/LEAD OVER NICKEL

 ◇ 84 2,54µm TIN OVER NICKEL (RoHS)

 ◇ 27 0,76µm GOLD OVER NICKEL (RoHS)

SELECT CONTACT
#11 or #21 CONTACT (DATA ON PAGE 217)

Downloaded from Elcodis.com electronic components distributor