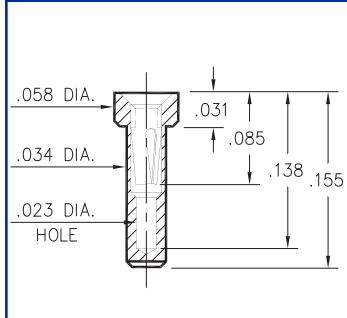
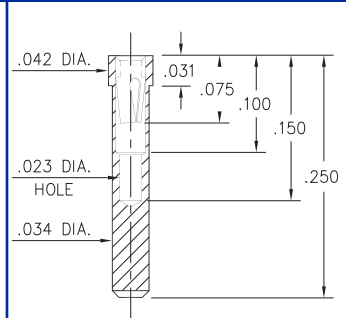


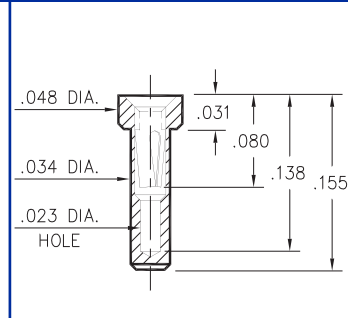
0548 8975 3016 9548



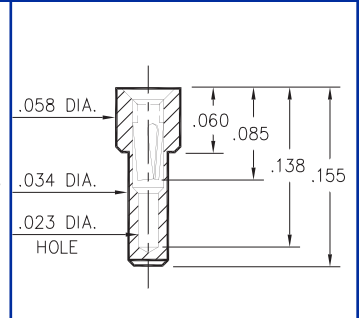
0548-0-15-XX-21-XX-10-0
Solder mount in .036 min. mounting hole



8975-0-15-XX-21-XX-10-0
Solder mount in .036 min. mounting hole

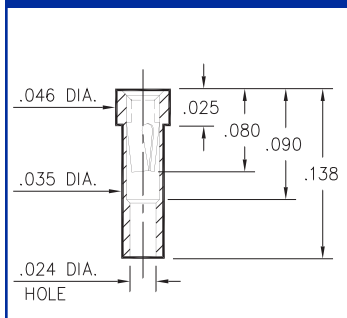


3016-0-15-XX-21-XX-10-0
Solder mount in .036 min. mounting hole

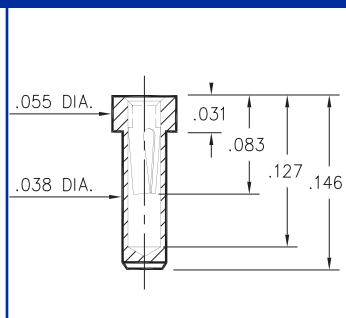


9548-0-15-XX-21-XX-10-0
Solder mount in .036 min. mounting hole

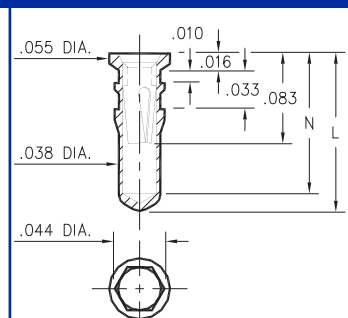
8637 1407 0553/8553



8637-0-15-XX-21-XX-10-0
Solder mount in .037 min. mounting hole



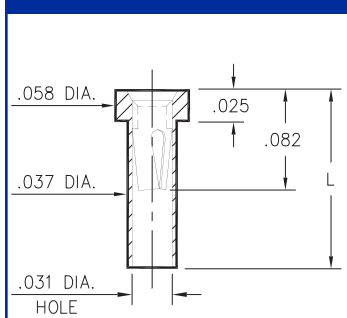
1407-0-15-XX-11-XX-10-0
Solder mount in .040 min. mounting hole



X553-X-15-XX-X1-XX-10-0
Hex press-fit in .041 plated thru hole

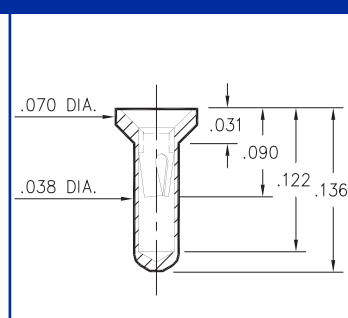
Basic Part Number	Length L	Depth N
0553-1	.140	.124
0553-2	.170	.154
0553-3	.282	.266
8553-0	.245	.229

0566 0442 0554

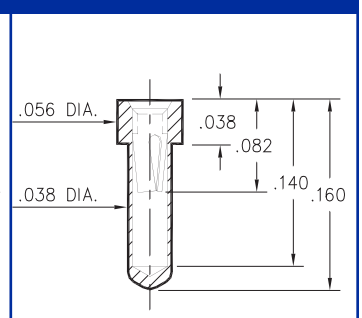


0566-X-15-XX-21-XX-10-0
Solder mount in .039 min. mounting hole

Basic Part Number	Length L
0566-1	.083
0566-2	.138



0442-0-15-XX-11-XX-10-0
Solder mount in .040 min. mounting hole



0554-0-15-XX-21-XX-10-0
Solder mount in .040 min. mounting hole

SPECIFICATIONS

SHELL MATERIAL:
Brass Alloy 360, 1/2 Hard

CONTACT MATERIAL:
Beryllium Copper Alloy 172, HT

DIMENSION IN INCHES
TOLERANCES ON:
LENGTHS: ±.005
DIAMETERS: ±.002
ANGLES: ± 2°

ORDER CODE: XXXX - X - 15 - XX - XX - XX - 10 - 0

BASIC PART # **SPECIFY SHELL FINISH:** **SPECIFY CONTACT FINISH:**

 01 200µ" TIN/LEAD OVER NICKEL 02 100µ" TIN/LEAD OVER NICKEL

 ◇ 80 200µ" TIN OVER NICKEL (RoHS) ◇ 84 100µ" TIN OVER NICKEL (RoHS)

 ◇ 15 10µ" GOLD OVER NICKEL (RoHS) ◇ 27 30µ" GOLD OVER NICKEL (RoHS)

SELECT CONTACT
#11 or #21 CONTACT (DATA ON PAGE 217)

Downloaded from Elcodis.com electronic components distributor