

4

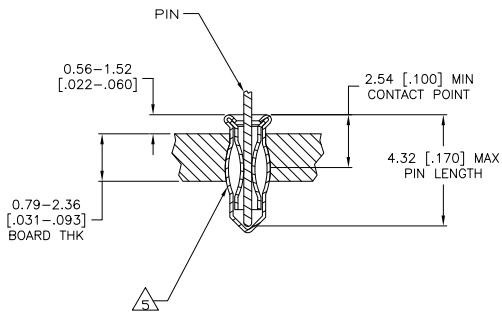
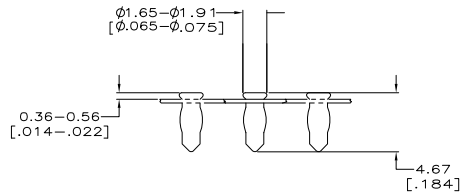
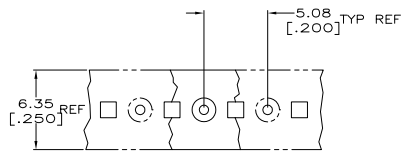
3

2

1

THIS DRAWING IS UNPUBLISHED. RELEASED FOR PUBLICATION
 © COPYRIGHT BY TYCO ELECTRONICS CORPORATION. ALL RIGHTS RESERVED.

LOC	DIST	REVISIONS				
		F	LR	DATE	BY	APP'D
AG	53	0	RELEASED	25JAN06	JDP	JGH



- 1 MATERIAL:
EYELET - COPPER PER ASTM B 152
SPRING - BERYLLIUM COPPER PER ASTM B 194
- 2 TIN PLATE PER ASTM B 545, 0.00254 [.000100] MIN THK.
- 3 PACKAGED, 50,000 PER REEL
- 4 TO INSURE 1/2 OZ MIN RETENTION DO NOT EXCEED 0.10 [.004] DIFFERENCE IN PIN DIA WHEN CHANGING TO A SMALLER DIA PIN
- 5 PRODUCT IS OVALIZED FOR RETENTION IN THE P.C. BOARD. THE RECOMMENDED HOLE DIAMETER IS 1.32 [.052] MINIMUM, +0.08 [.003] MAX. PRIOR TO SOLDERING.
- 6 PACKAGED 10,000 PER REEL

2.54-4.32 [.100-.170]	Ø0.36-Ø0.66 [Ø.014-Ø.026]	TIN	TIN	1-5645956-1
2.54-4.32 [.100-.170]	Ø0.36-Ø0.66 [Ø.014-Ø.026]	TIN	TIN	5645956-1
LENGTH	DIA	SPRING	EYELET	PART NO.

THIS DRAWING IS A CONTROLLED DOCUMENT.		DRN	25MAN06	Tyco Electronics Corporation	
DIMENSIONS: mm [INCHES]		J. POLIGNONE	25MAN06	Harrisburg, PA 17105-3608	
TOLERANCES UNLESS OTHERWISE SPECIFIED:		CHK	25MAN06	Tyco Electronics	
Ø PLG ± .001		J. HAVENER	25MAN06	NAME	
1 PLG ± .001		J. HAVENER	25MAN06	108-14008	
2 PLG ± .001		J. HAVENER	25MAN06	APPLICATION SPEC	
3 PLG ± 0.20(008)		J. HAVENER	25MAN06	114-26004	
A PLG ± .001		J. HAVENER	25MAN06	WEIGHT	
ANGLES ± .001		J. HAVENER	25MAN06	A2 00779 C=5645956	
MATERIAL		J. HAVENER	25MAN06	RESTRICTED TO	
FINISH		J. HAVENER	25MAN06	-	
SEE TABLE		J. HAVENER	25MAN06	CUSTOMER DRAWING	
		J. HAVENER	25MAN06	SCALE 1:1 SHEET 1 of 1 REV 0	

AMP 1471-9 REV 31MM0200

5645956

B

A