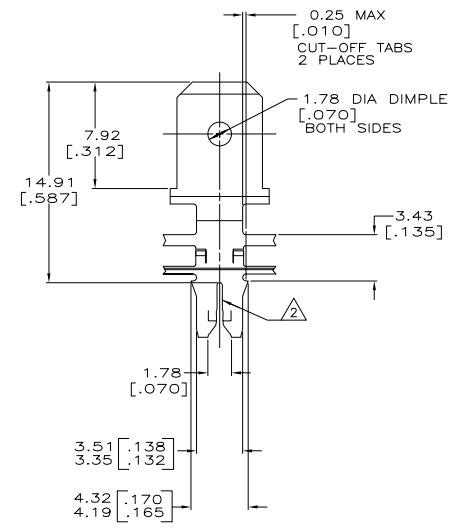
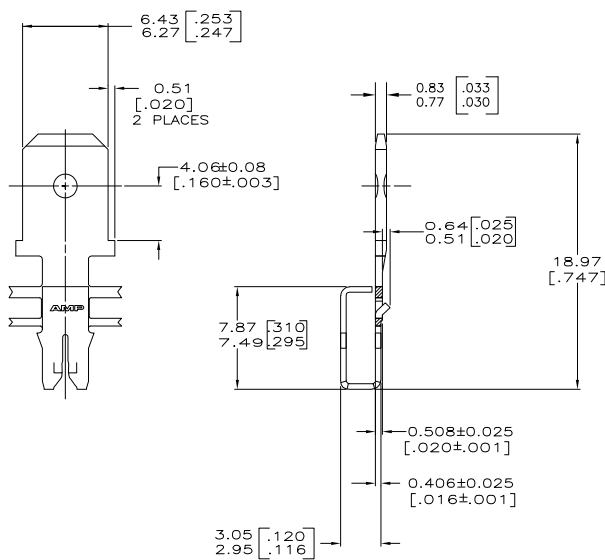


THIS DRAWING IS UNPUBLISHED.
 RELEASED FOR PUBLICATION
 BY TYCO ELECTRONICS CORPORATION. ALL RIGHTS RESERVED.

LOC	QST	REVISIONS			
TR	LR	DESCRIPTION	DATE	DR	APP
B		REVISED PER ECR-06-010412	02NOV06	HMR	KR



1 CONTINUOUS STRIP ON REELS WITH TERMINALS LOCATED ON 8.38 ± 0.08 [.330 ± .003] CENTERS.
 2 SLOT ACCEPTS A SINGLE COPPER MAGNET WIRE.
 WIRE RANGE: 0.57-0.81mm [#23-#20] AWG.



1217870-1
 PART NUMBER

THIS DRAWING IS A CONTROLLED DOCUMENT.		DRN MICHAEL S. FEHER 30AUG2002	Tyco Electronics Corporation Harrisburg, PA 17105-3608																									
DIMENSIONS: mm [INCHES]		DR KURT A. RANDOLPH 30AUG2002	Tyco Electronics																									
TOLERANCES UNLESS OTHERWISE SPECIFIED:		APR KURT A. RANDOLPH 30AUG2002	TERMINAL TAB, 6.35[.250] FASTON, 300 SERIES MAG-MATE™																									
<table border="1"> <tr><td>Ø</td><td>P/UC</td><td>±</td><td>-</td></tr> <tr><td>1</td><td>P/UC</td><td>±</td><td>0.25(.010)</td></tr> <tr><td>2</td><td>P/UC</td><td>±</td><td>0.25(.010)</td></tr> <tr><td>3</td><td>P/UC</td><td>±</td><td>-</td></tr> <tr><td>4</td><td>P/UC</td><td>±</td><td>-</td></tr> <tr><td>ANGLES</td><td>±</td><td>-</td><td>-</td></tr> </table>		Ø	P/UC	±	-	1	P/UC	±	0.25(.010)	2	P/UC	±	0.25(.010)	3	P/UC	±	-	4	P/UC	±	-	ANGLES	±	-	-	PRODUCT SPEC 108-2012	SIZE A2	CAGE CODE 00779
Ø	P/UC	±	-																									
1	P/UC	±	0.25(.010)																									
2	P/UC	±	0.25(.010)																									
3	P/UC	±	-																									
4	P/UC	±	-																									
ANGLES	±	-	-																									
MATERIAL 082 PRE-MILLED		APPLICATION SPEC 114-2067	DRAWING NO 1217870	RESTRICTED TO -																								
FINISH 0.002032(.000086)		WEIGHT -	SCALE 5:1	SHEET 1 of 1																								
CUSTOMER DRAWING		REV B																										

AMP 1471-B REV 31MMR2000