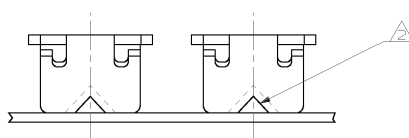
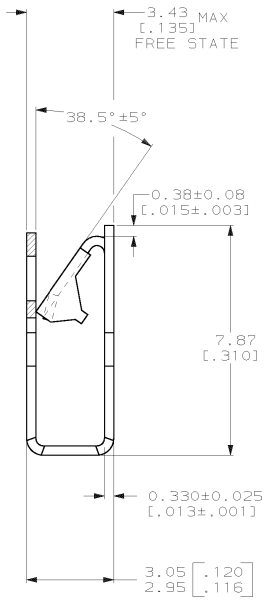
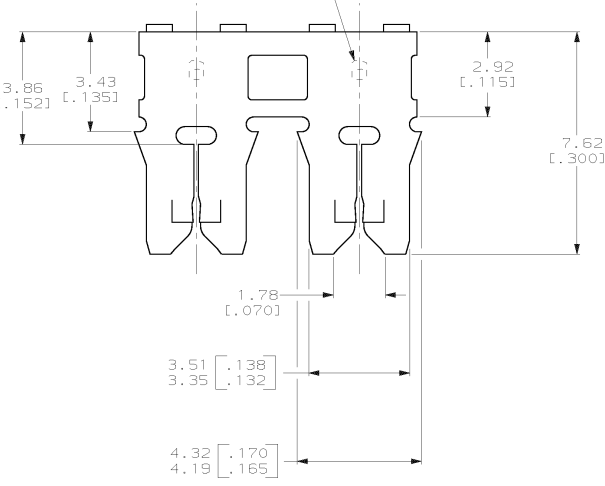


THIS DRAWING IS UNPUBLISHED. RELEASED FOR PUBLICATION, 19
 © COPYRIGHT 19 BY AMP INCORPORATED. ALL INTERNATIONAL RIGHTS RESERVED.

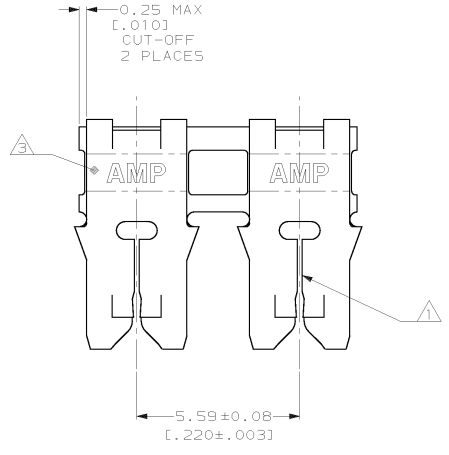
LOC	DIST	P	F	ZONE	LTR	REVISIONS	DATE	APPO
AF	50				B	REVISED PER 063A-0451-00	24JUL00	MF-KR



IDENTIFICATION NUMBER 6 FOR MAGNET WIRE RANGE



- ⚠ SLOTTED TERMINATION EITHER A SINGLE OR DOUBLE MAGNET WIRE OF THE SAME SIZE AND TYPE. COPPER RANGE: 0.25-0.36mm [#30-#27] AWG. POKE-IN ACCEPTS A 0.5-0.9mm² [#20-#18] AWG SOLID OR FUSED STRANDED LEAD WIRE.
- ⚠ BLUE COLORING ON THIS SURFACE TO PROVIDE CODING OF MAGNET WIRE RANGE



63885-1
PART NO

DO NOT SCALE PRINT. UNLESS SPECIFIED DIMENSIONS IN MM (INCHES) TOLERANCES ON: 2 PLC DEC ± 0.25 (.010) 3 PLC DEC ± ANGLES ± -		DR 22/NOV/95 R. GRZYBOWSKI		AMP Incorporated Harrisburg, PA 17105-3608	
MATERIAL 4M BRASS		CHK 22/NOV/95 M.S.FEHER			
FINISH 0.002032 (.000080) MIN TIN PLATE		APPD 22/NOV/95 TERRY L. SHUTTER		NAME TERMINAL, POKE-IN, DUAL LOOSE PIECE, 300 SERIES MAG-MATE™	
APPLICATION SPEC 114-2046		PRODUCT SPEC 108-2012		SIZE C	CAGE CODE 00779
WEIGHT		SCALE 10:1		DRAWING NO C-63885	SHEET 1 OF 1

THIS DRAWING IS A CONTROLLED DOCUMENT FOR AMP INCORPORATED. IT IS SUBJECT TO CHANGE AND THE CONTROLLING ENGINEERING ORGANIZATION SHOULD BE CONTACTED FOR THE LATEST REVISION.