

4

3

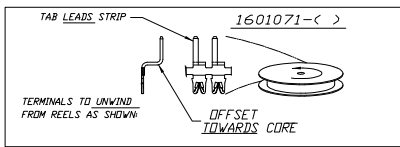
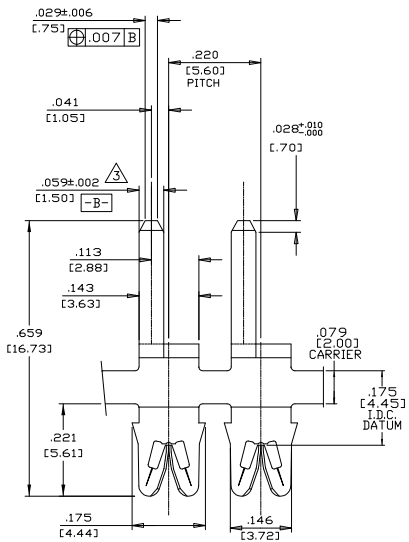
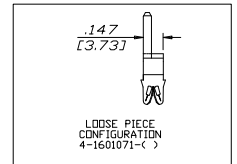
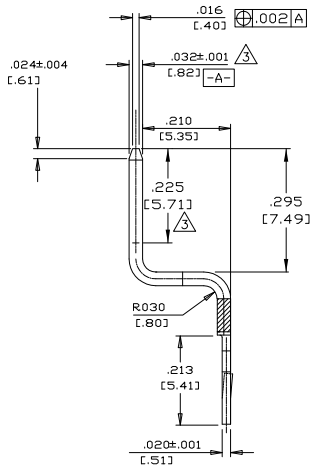
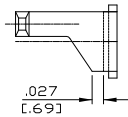
2

1

THIS DRAWING IS UNPUBLISHED. RELEASED FOR PUBLICATION. ALL RIGHTS RESERVED.
 © COPYRIGHT BY TYCO ELECTRONICS CORPORATION.

LOC	DIST	REVISIONS			
F	LNK	DESCRIPTION	DATE	BY	APPD
AF	50	A1	REVISED PER ECR-05-012061	17OCT05	MF GJ

- SPECIFICATIONS: MAGNET WIRE #34-#18 AWG .006 [0.16mm] - .040 [1.02mm] DIA COPPER.
 - POCKET RECOMMENDATION: 1601431.
- ⚠ MAINTAIN THICKNESS FOR THIS LENGTH AND COIN EDGES WITH NO BURRS.



-	-	-
-	-	-
-	-	-
-	-	-
-	-	-
Pre-Tin Plate over Copper Underplate	131-138-014	1601071-2
-	-	-
FINISH	REFERENCE PART NUMBER	TYCO PART NUMBER
THIS DRAWING IS A CONTROLLED DOCUMENT.	DRW: MICHAEL S. FEHREY 09FEB2002 CHK: KURT A. RANDOLPH 14FEB2002 APP: KURT A. RANDOLPH 14FEB2002	Tyco Electronics Corporation Harrisburg, PA 17105-3608
DIMENSIONS: INCHES	TOLERANCES UNLESS OTHERWISE SPECIFIED: 0 PLC ± .0005 1 PLC ± .0005 2 PLC ± .0005 3 PLC ± .0005(0.13) 4 PLC ± .0005 ANGLES ± .1°	NAME: BENT SIAMEZE TERMINAL PRODUCT SPEC: 108-2085 APPLICATION SPEC: 408-8629 WEIGHT: -
MATERIAL: BRASS, 1/2 HARD	FINISH: SEE TABLE	SIZE: A2 CASE CODE: 00779 DRAWING NO: C=1601071 RESTRICTED TO: -
CUSTOMER DRAWING		SCALE: 1:1 SHEET: 1 of 1 REV: A1

AMP 1471-9 REV 31MM2000

1601071

A