

4

3

2

1

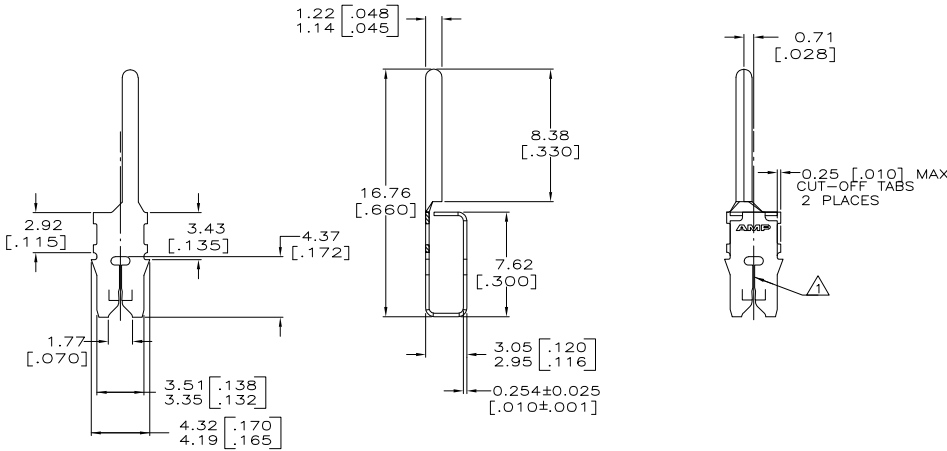
THIS DRAWING IS UNPUBLISHED. RELEASED FOR PUBLICATION. COPYRIGHT BY TYCO ELECTRONICS CORPORATION. ALL RIGHTS RESERVED.

LOC	DIST	REVISIONS				
		REV	DESCRIPTION	DATE	BY	APP'D
AF	50	C	REV PER ECR 05-010705	03NOV05	JR	KR

IDENTIFICATION NUMBER FOR MAGNET WIRE RANGE



- ⚠ SLOTTED TERMINATES EITHER SINGLE OR DOUBLE COPPER MAGNET WIRES OF THE SAME SIZE, 0.23-0.32mm [#31-#28] AWG.
- ⚠ 0.002032 - 0.00381 [.000080-.000150] TIN PLATE PER MIL-T-10727



63879-1

PART NO.

THIS DRAWING IS A CONTROLLED DOCUMENT.		DRW: MICHAEL S. FEHNER 17/OCT/99	Tyco Electronics Corporation Harrisburg, PA 17105-3608
TERMINATION: SHUTTER		CHK: RICHARD GRZYBOWSKI 16/OCT/99	
TOLERANCES UNLESS OTHERWISE SPECIFIED:		APP'D: RICHARD GRZYBOWSKI 16/OCT/99	NAME: RICHARD GRZYBOWSKI
INCHES		TL SHUTTER	PRODUCT SPEC: 108-2012
0 PLC ± .005		APPLICATION SPEC: 114-2046	SIZE: A2
1 PLC ± .010		WEIGHT: -	CAGE CODE: 00779
2 PLC ± .015 (0.004)		FINISH: ⚠	DRAWING NO: 63879
3 PLC ± .020			RESTRICTED TO: -
4 PLC ± .030			SCALE: 5:1
ANGLES ± .5°			SHEET: 1 of 1
MATERIAL: H04 BRASS		CUSTOMER DRAWING	REV: C

AMP 1471-9 REV 31MAR2000

63879

A