

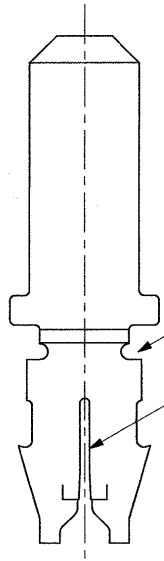
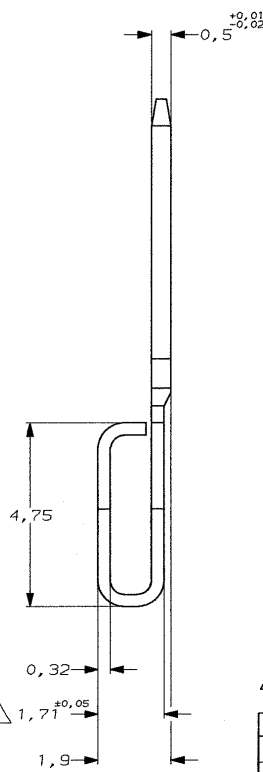
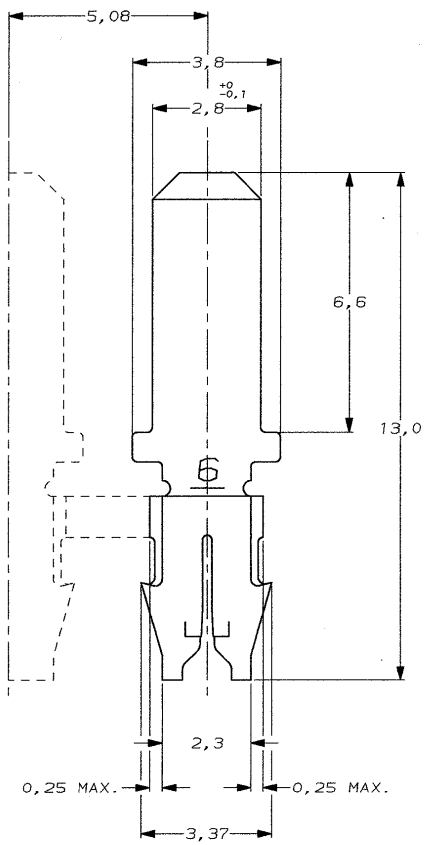
DO NOT SCALE
DIMENSIONS IN mm

METRIC



NOTES:

- △ DIMENSION MUST BE CHECKED WITH TOP OF BOX TOUCHING CARRIERSIDE OF BOX.
- △ OBSOLETE PARTS: OBSOLETE CIS STREAMLINING PER D.RENAUD/D.SINISI



OPTIONAL
SLOT ACCEPTS 30-28 AWG COPPER MAGNET WIRE EITHER SINGLE OR DOUBLE OF THE SAME SIZE.

WIRE RANGE :
30-28 AWG
INSULATION RANGE :
- DIA.

△	OBSOLETE	TINPLATED	L.P. OF 160810-2	160810-4	
		TINPLATED	BRASS	160810-2	
		FINISH	MATERIAL	PARTNUMBER	
-	-	-	-	-	
CUSTOMER DRAWING				FOR REFERENCE ONLY WILL NOT BE UPDATED	
© COPYRIGHT 19- BY AMP HOLLAND B.V.					
ALL INTERNATIONAL RIGHTS RESERVED. AMP PRODUCTS MAY BE COVERED BY U.S. AND FOREIGN AND/OR PATENTS PENDING.					
THIS DRAWING IS UNPUBLISHED					
RELEASED FOR PUBLICATION					
B1	ECO-09-022178	KK	25/09/09	AMP HOLLAND B.V. 's-Hertogenbosch, The Netherlands.	
B	EH-00-1581-99	MD	08 OCT 99		
A	EH-0945-97	D.K.	M.V. 18 SEP 97		
LTR.	REVISION RECORD	DR.	CHK.	DATE	
DR.:	D. KESSLER	CHK.:	M. V. DRIEL	APP.:	M. V. DRIEL
DATE:	18 SEP 97	DATE:	18 SEP 97	DATE:	18 SEP 97
DNG. No. C-160810				REV. LTR. B1	SHEET 1 OF 1

MAG-MATE 4,75
WITH TAB 2,8