

4

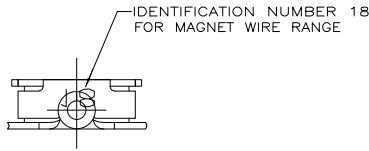
3

2

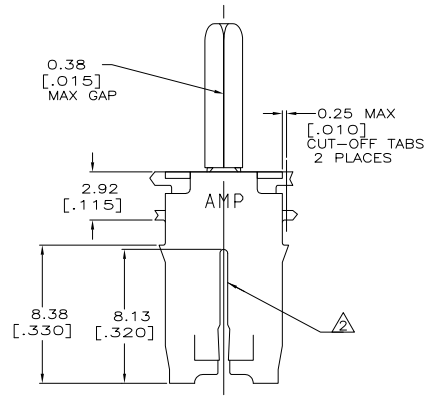
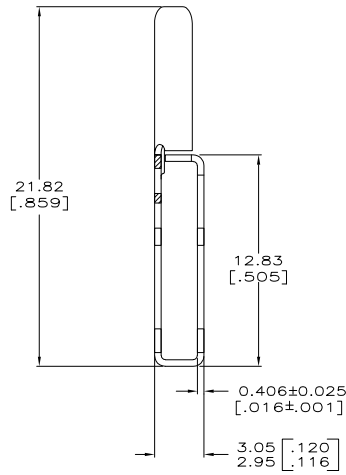
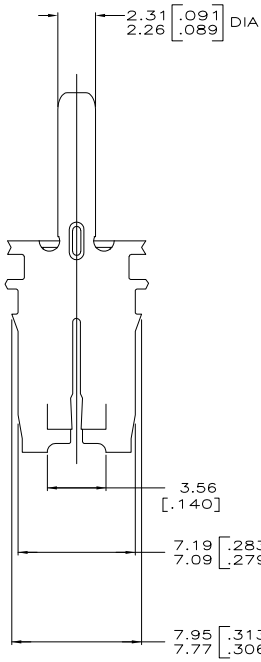
1

THIS DRAWING IS UNPUBLISHED. RELEASED FOR PUBLICATION
 © COPYRIGHT BY TYCO ELECTRONICS CORPORATION. ALL RIGHTS RESERVED.

LOC		DIST		REVISIONS			
P	LR	DESCRIPTION	DATE	MIN	APD		
F		REVISED PER 0G3A-0203-05	6APR05	MF	KR		



- 1 CONTINUOUS STRIP ON REELS WITH TERMINALS LOCATED ON 8.38±0.08 [.330±.003] CENTERS. SLOT ACCEPTS 0.64-0.81mm [#22-#20] AWG COPPER MAGNET WIRE. 2 WIRES OF THE SAME SIZE MAX PER SLOT.
- ⚠ VARNISH RESIST OVER 0.002032 [.000080] MIN TIN
- ⚠ PRELIMINARY - NOT FOR PRODUCTION.



082 BRASS	⚠	63277-2
4M BRASS		63277-1
MATERIAL		PART NUMBER

THIS DRAWING IS A CONTROLLED DOCUMENT.		DRW MICHAEL S. FEHNER 10APR97	Tyco Electronics Corporation Harrisburg, Pa 17105-3608
		CHK JEFF R. RUTH 11APR97	
DIMENSIONS: INCHES		APP NELSON E. NEFF 14APR97	PIN, 2.29[.090] DIA, 500 SERIES MAG-MATE
TOLERANCES UNLESS OTHERWISE SPECIFIED:		PRDCT SPEC 108-2053	
APPLIC. SPEC 114-2066		SIZE 00779	DRAWING NO. C-63277
MATERIAL SEE TABLE		FINISH	RESTRICTED TO
		⚠	SCALE 6:1 SHEET 1 OF 1 REV F

AMP 1471-9 REV 31MM2000

63277

A

F