

4

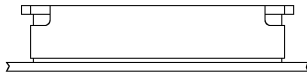
3

2

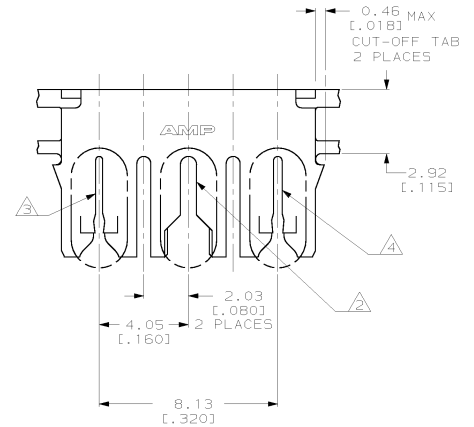
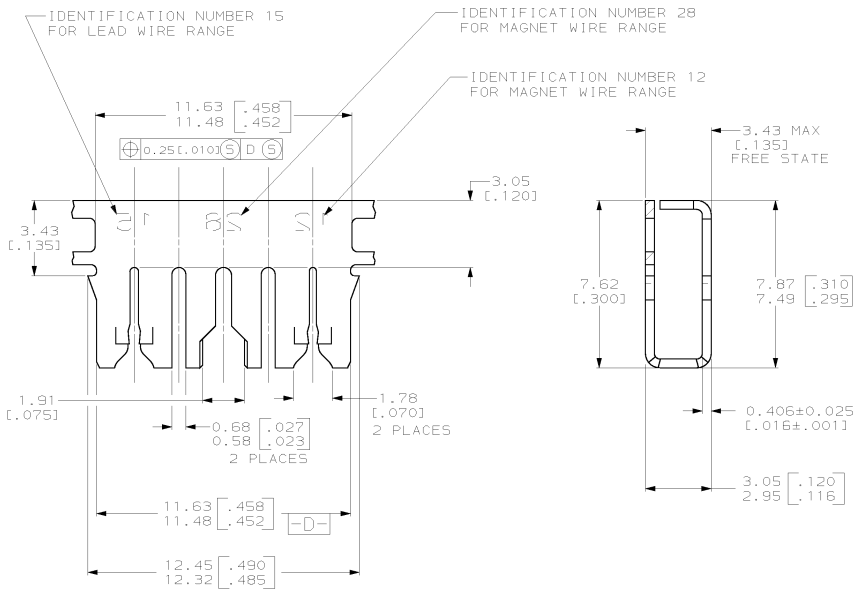
1

THIS DRAWING IS UNPUBLISHED.
 RELEASED FOR PUBLICATION
 BY AMP INCORPORATED. ALL RIGHTS RESERVED.

| LOC | DIST | REVISIONS | | | |
|-----|------|-----------|----------------------|---------|--------|
| | | REV | DESCRIPTION | DATE | BY |
| AF | 50 | F | LTR | | |
| | | C | REV PER 063A-0294-02 | 19JAN02 | JR KAR |



- 1 CONTINUOUS STRIP ON REELS WITH TERMINALS LOCATED ON 13.97±0.08 [.550±.003] CENTERS.
- △ SLOT TERMINATES A SINGLE 0.8-0.9mm² [#18] AWG TIN PLATED SOLID, FUSED STRANDED OR STRANDED (7, 16, OR 19 STRANDS) WIRE WITH PET INSULATION, 2.03[.080] MAX DIA.
- △ SLOT ACCEPTS 0.45-0.64mm [#25-#22] AWG COPPER MAGNET WIRE. SINGLE OR DOUBLE WIRE OF THE SAME SIZE AND TYPE, EXCEPT 0.64mm [#22] AWG WHICH IS FOR ONE WIRE ONLY.
- △ SLOT ACCEPTS 0.54-0.81mm [#23.5-#20] AWG COPPER MAGNET WIRE. 2 WIRES OF THE SAME SIZE AND TYPE PER SLOT. EXCEPT 0.64-0.81 [#22-#20] AWG WHICH IS ONE WIRE ONLY.
- △ MTA PRODUCT SPEC IS 108-1051
MAG-MATE PRODUCT SPEC IS 108-2012
- △ MAG-MATE APPLICATION SPEC IS 114-2046
MTA APPLICATION SPEC IS 114-1020
- △ TERMINALS ARE STRESS RELIEVED



1217209-1
PART NUMBER

| | | | |
|--|--|--|--|
| THIS DRAWING IS A CONTROLLED DOCUMENT. | | DR MICHAEL S. FEJERS 136P1999 | AMP AMP Incorporated Harrisburg, PA 17105-3608 |
| | | CHK KURT A. RANDOLPH 226P1999 | |
| DIMENSIONS (mm (INCHES)) | | APPROVED FOR RELEASE KURT A. RANDOLPH 226P1999 | TERMINAL, SPLICE, TRI-SLOT, 300 SERIES, MTA/MAG-MATE™ |
| UNDESIGNED CHANGES (REVISED) | | PRODUCT SPEC | APPLICATION SPEC 96-1039-143 |
| MATERIAL 4M BRASS | | FINISH 0.002032 (1.000080) | MIN TIN PLATE |
| | | STRESS RELIEVED | CUSTOMER DRAWING |
| | | | SCALE 8:1 SHEET 1 OF 1 REV C |

1217209

A

C

D

E

F

G

H

I

J

K

L

M

N

O