

4

3

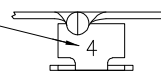
2

1

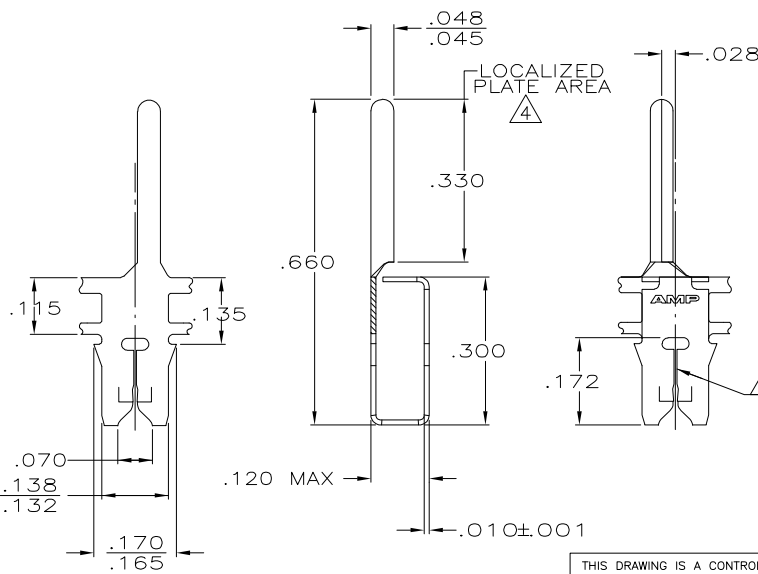
THIS DRAWING IS UNPUBLISHED. RELEASED FOR PUBLICATION
 © COPYRIGHT - BY TYCO ELECTRONICS CORPORATION. ALL RIGHTS RESERVED.

LOC	DIST	REVISIONS			
P	LTR	DESCRIPTION	DATE	DWN	APVO
AF	50	F	REV PER ECR 05-010705	03NOV05	JR KR

IDENTIFICATION NUMBER 4 FOR
MAGNET WIRE RANGE



- ① MAG-MATE CAVITY SPECIFICATION.
- ② CONTINUOUS STRIP ON REELS WITH TERMINALS LOCATED ON .220±.003 CENTERS.
- ③ SLOT TERMINATES EITHER SINGLE OR DOUBLE MAGNET WIRES OF THE SAME TYPE AND SIZE, COPPER RANGE IS #33-#31 AWG.
- ④ .000080/.000250 TIN PLATE.
- ⑤ PRELIMINARY - NOT FOR PRODUCTION.



REVERSE	⑤ 63444-2
STANDARD	63444-1
REELING	PART NO.

THIS DRAWING IS A CONTROLLED DOCUMENT.		DWN MS FEHER 10/25/88	Tyco Electronics Corporation Harrisburg, PA 17105-3608	
DIMENSIONS: INCHES		CHK JR RUTH 10/25/88		
TOLERANCES UNLESS OTHERWISE SPECIFIED:		APVO TL SHUTTER 10/25/88	NAME	
0 PLC ± - 1 PLC ± - 2 PLC ± - 3 PLC ± .006 4 PLC ± - ANGLES ± -		APPLICATION SPEC ①	PIN, .048 DIA, (LEFT HAND), MAG-MATE	
MATERIAL H04 BRASS	FINISH ④	WEIGHT -	SIZE A3	CAGE CODE 00779
CUSTOMER DRAWING			DRAWING NO C=63444	RESTRICTED TO -
SCALE 5:1			SHEET 1 OF 1	REV F