

4

3

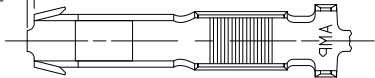
2

1

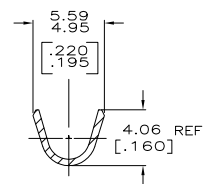
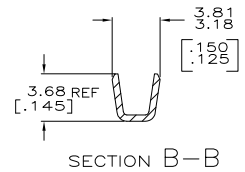
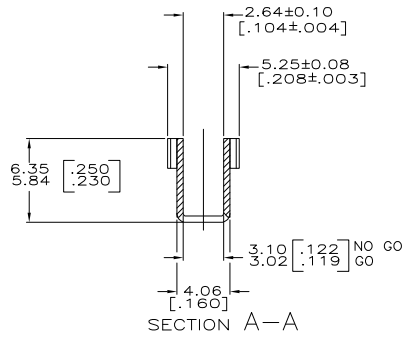
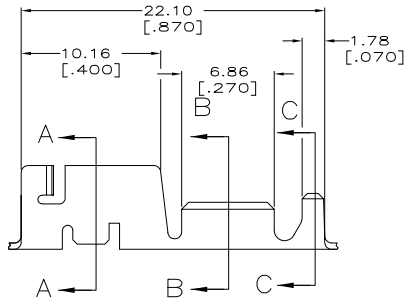
THIS DRAWING IS UNPUBLISHED. RELEASED FOR PUBLICATION
 BY TYCO ELECTRONICS CORPORATION. ALL RIGHTS RESERVED.

LOC	DIST	REVISIONS					
		F	LTR	DESCRIPTION	DATE	BY	APP'D
AF	50						
		D		REVISED PER ECR-05-018642	25APR06	HMR	GP

0.30
 [.012]
 MAX
 APPLICATOR
 CUT-OFF



1 CONTINUOUS STRIP ON REELS WITH TERMINALS LOCATED ON 23.75 [.935] CENTERS.



1.90-3.18 [.075-.125] DIA	1500-4200 CMA	1217174-1
INSULATION RANGE	WIRE RANGE	PART NUMBER

THIS DRAWING IS A CONTROLLED DOCUMENT.		DRW: MICHAEL S. FEHNER CHK: 07AAL1999	TYCO Electronics	Tyco Electronics Corporation Harrisburg, PA 17105-3608
DIMENSIONS: mm [INCHES]		APPC: PETE DESANTIS NAME: PETE DESANTIS	RECEPTACLE, CLUSTER PIN, AMPLIVAR™ 3.18[.125] DIA	
TOLERANCES UNLESS OTHERWISE SPECIFIED:		PRODUCT SPEC: 108-2008	APPLICATION SPEC: 114-2019	
0 PLG ± -	1 PLG ± -	2 PLG ± 0.25 (.010)	3 PLG ± -	4 PLG ± -
MATERIAL: H03 PHOSPHOR BRONZE		FINISH: POST TIN	SIZE: A2	CAGE CODE: 00779
			DRAWING NO: C=1217174	RESTRICTED TO: -
			CUSTOMER DRAWING	SCALE: 5:1 SHEET: 1 of 1 REV: D

AMP 1471-9 REV 31MM2000

1217174

A