

4

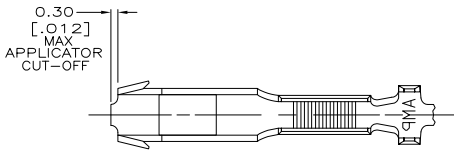
3

2

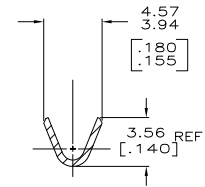
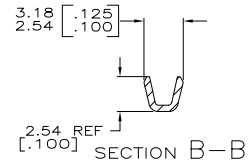
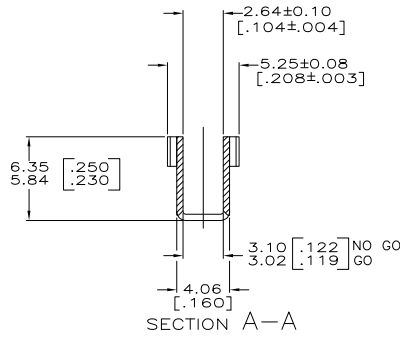
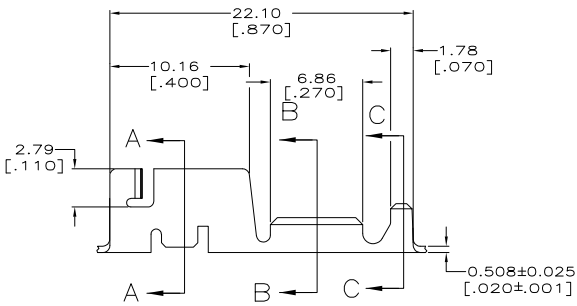
1

THIS DRAWING IS UNPUBLISHED. RELEASED FOR PUBLICATION  
 BY TYCO ELECTRONICS CORPORATION. ALL RIGHTS RESERVED.

LOC	DIST	REVISIONS				
		F	LR	DATE	BY	APP'D
AF	50	E		REV PER ECR-05-018642	19APR06	HMR GP



1 CONTINUOUS STRIP ON REELS WITH TERMINALS LOCATED ON 23.75 [.935] CENTERS.



1.52-2.54 [.060-.100] DIA	400-1600 CMA	1217172-1
INSULATION RANGE	WIRE RANGE	PART NUMBER

THIS DRAWING IS A CONTROLLED DOCUMENT.		DATE: 29JUN1999	BY: MICHAEL S. FEYER	TYCO ELECTRONICS CORPORATION
DIMENSIONS: mm [INCHES]		DATE: 06AUG1999	BY: PETE DESANTIS	HARRISBURG, PA 17105-3608
TOLERANCES UNLESS OTHERWISE SPECIFIED:		DATE: 06AUG1999	BY: PETE DESANTIS	RECEPTACLE, CLUSTER PIN, AMPLIVAR, 3.18[.125] DIA
0 PLC ±	1 PLC ±	2 PLC ±	3 PLC ±	4 PLC ±
0 ANGLE ±	1 ANGLE ±	2 ANGLE ±	3 ANGLE ±	4 ANGLE ±
MATERIAL: H03 PHOSPHOR BRONZE	FINISH: POST TIN	APPLICATION SPEC: 108-2008	PRODUCT SPEC: 114-2019	WEIGHT: -
CUSTOMER DRAWING		SIZE: A2	CAGE CODE: 00779	DRAWING NO: C=1217172
		SCALE: 5:1	SHEET: 1 of 1	REV: E

AMP 1471-9 REV 31MM0200

1217172

A