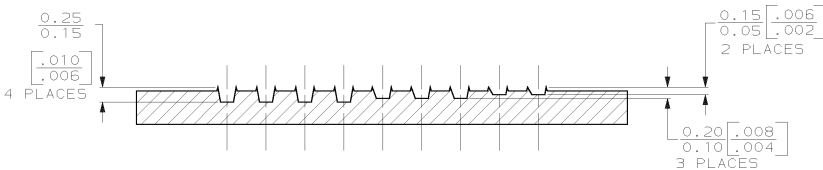
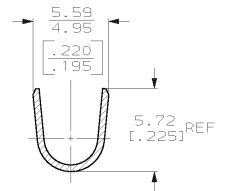
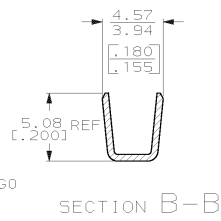
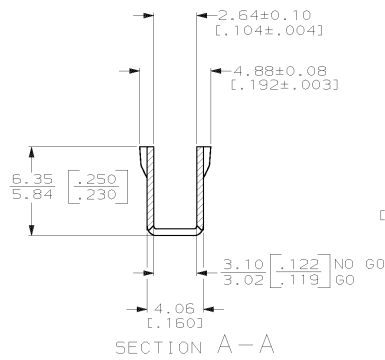
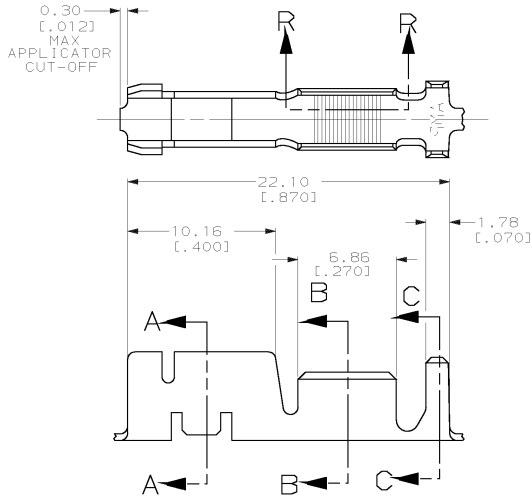


DRAWING MADE IN THIRD ANGLE PROJECTION
 THIS DRAWING IS UNPUBLISHED. RELEASED FOR PUBLICATION
 © COPYRIGHT 19 BY AMP INCORPORATED. ALL INTERNATIONAL RIGHTS RESERVED.

REVOLUTIONS		DATE	APPD
AF	50		
P	F		
ZONE	LTR		
M			
DESCRIPTION			
REV PER 063A-0164-99		28SEP99	JR/PD

1 CONTINUOUS STRIP ON REELS WITH TERMINALS LOCATED ON 23.75 [.935] CENTERS.



2.29-4.32 [.090-.170] DIA	4000-8500 CMA	63455-1
INSULATION RANGE	WIRE RANGE	PART NO

DO NOT SCALE PRINT. UNLESS SPECIFIED DIMENSIONS IN mm (INCHES) TOLERANCES ON ± 2 PLC DEC ± 0.25 (.010) 3 PLC DEC ± ANGLES ± -	DR 11/12/87 MS FEHER	AMP AMP INCORPORATED Harrisburg, Pa. 17105 NAME RECEPTACLE, CLUSTER PIN, AMPLIVAR, 3.18 [.125] DIA
MATERIAL 0.51 [.020] #3 HARD PHOSPHOR BRONZE	CHK 11/17/87 G YETTER	
FINISH POST TIN	APPD 11/17/87 C ATHERTON	
	PRODUCT SPEC -	
	APPLICATION SPEC -	SIZE C FSCM NO 00779 DRAWING NO 63455
	WEIGHT -	SCALE 5:1 SHEET 1 OF 1

METRIC

CUSTOMER DRAWING

63455

A