

4

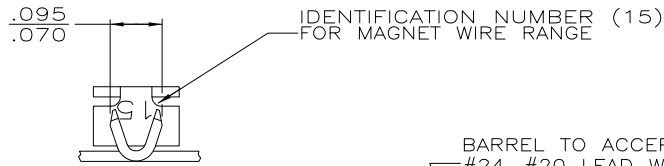
3

2

1

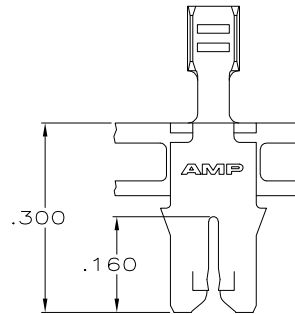
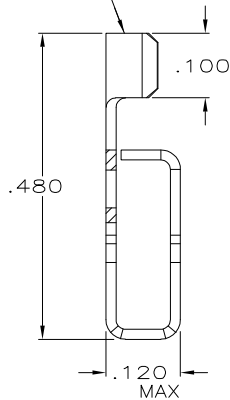
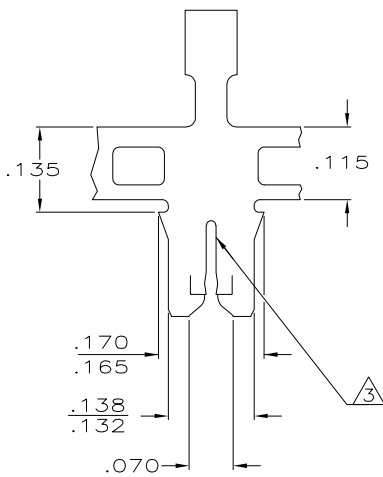
THIS DRAWING IS UNPUBLISHED. RELEASED FOR PUBLICATION
 © COPYRIGHT - BY TYCO ELECTRONICS CORPORATION. ALL RIGHTS RESERVED.

LOC		DIST		REVISIONS			
P	LTR	DESCRIPTION		DATE	DWN	APVD	
	R	REV PER OG3A-0745-04		08OCT2004	RF	KR	



- 1 CONTINUOUS STRIP ON REELS WITH TERMINALS LOCATED ON .220 CENTERS.
- 2 FOR MATING CAVITY SPECIFICATIONS.
- 3 SLOT ACCEPTS #22-#20 COPPER MAGNET WIRE.

BARREL TO ACCEPT #24-#20 LEAD WIRE



62458-1
PART NUMBER

THIS DRAWING IS A CONTROLLED DOCUMENT.		DWN T.L. BARBER 4/8/87	Tyco Electronics Corporation Harrisburg, PA 17105-3608	
DIMENSIONS: INCHES		CHK C. YETTER 4/8/87	NAME	
TOLERANCES UNLESS OTHERWISE SPECIFIED:		APVD -	PRODUCT SPEC	
0 PLC ± -		APPLICATION SPEC	114-2046	
1 PLC ± -		WEIGHT	-	
2 PLC ± -		SIZE	A3	
3 PLC ± .015		CAGE CODE	00779	
4 PLC ± -		DRAWING NO	C-62458	
ANGLES ± -		RESTRICTED TO	-	
MATERIAL .016 H04 BRASS	FINISH TIN .000080 MIN	CUSTOMER DRAWING	SCALE 1:1	SHEET 1 OF 1