

4

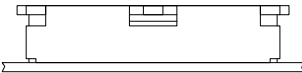
3

2

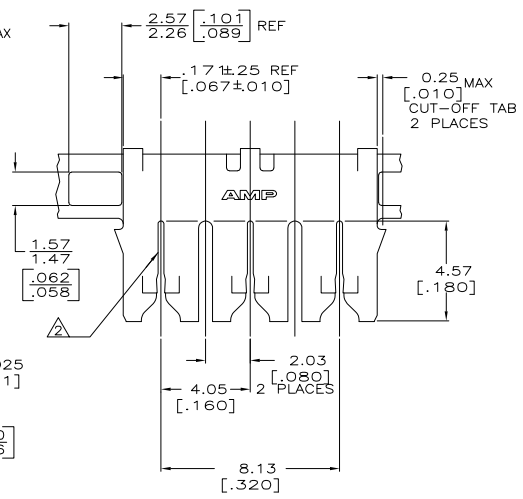
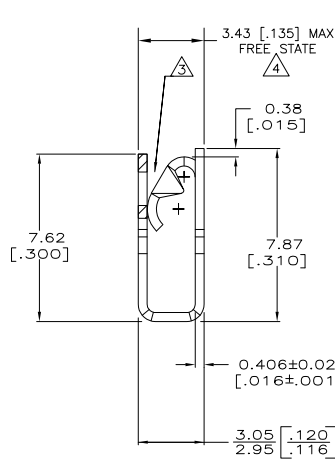
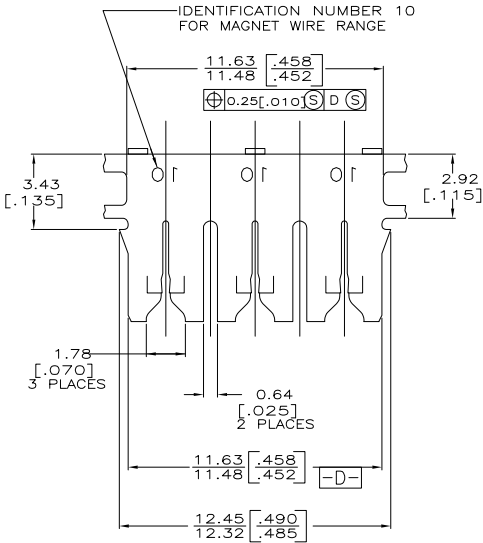
1

THIS DRAWING IS UNPUBLISHED. RELEASED FOR PUBLICATION
 © COPYRIGHT BY TYCO ELECTRONICS CORPORATION. ALL RIGHTS RESERVED.

LOC		DIST		REVISIONS			
P	LTR	DESCRIPTION	DATE	MIN	APD		
D		REV PER 063A-0759-04	070CT2004	RF	KR		



- 1 CONTINUOUS STRIP ON REELS (NO SPLICES) WITH TERMINALS LOCATED ON 13.97±0.08 [.550±.003] CENTERS.
- 2 SLOTS ACCEPT A SINGLE 0.36-0.57mm [#27-#23] AWG COPPER MAGNET WIRE.
- 3 MATES WITH STANDARD MAG-MATE STYLED POKE-IN TAB TERMINAL.
- 4 DIMENSION APPLIES WITH LEAF EDGE TOUCHING CARRIER SIDE OF BOX.



63632-1
 PART NUMBER

THIS DRAWING IS A CONTROLLED DOCUMENT.		DRN MICHAEL S. FEHR 12/3/91	Tyco Electronics Corporation Harrisburg, PA 17105-3608	SPECIAL LEAF CONTACT, TRI-SLOT, MAG-MATE	RESTRICTED TO -
DIMENSIONS: INCHES		OK PHILLIP M. FORTNEY 12/3/91			
TOLERANCES UNLESS OTHERWISE SPECIFIED:		APPC -	PRODUCT SPEC 108-2012	SIZE CAGE CODE DRAWING NO. A2 00779 C-63632	
MATERIAL #4M HARD BRASS		FINISH 0.002032 [.000080] MIN TIN	APPLICATION SPEC 91-7079-026	RIGHT -	SCALE 8:1 SHEET 1 OF 1 REV D
CUSTOMER DRAWING					

AMP 1471-9 REV 31MM2000

63632