

4

3

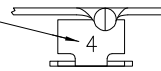
2

1

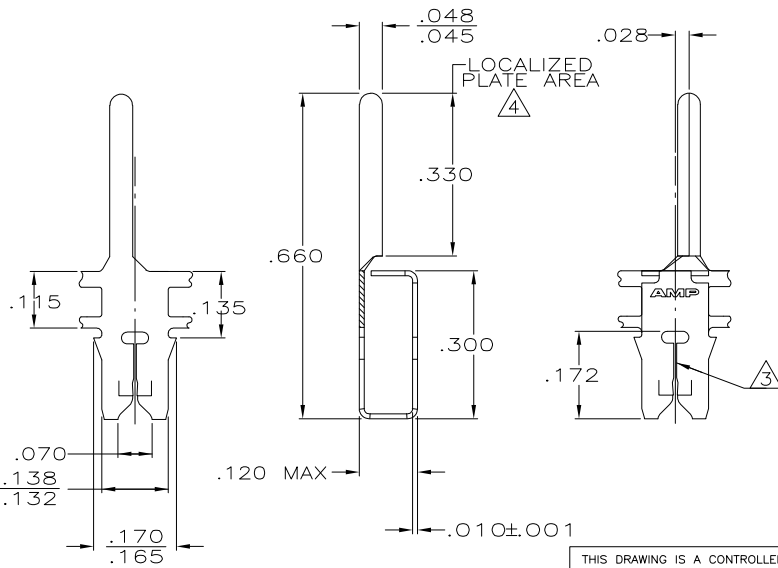
THIS DRAWING IS UNPUBLISHED. RELEASED FOR PUBLICATION
 © COPYRIGHT - BY TYCO ELECTRONICS CORPORATION. ALL RIGHTS RESERVED.

LOC	DIST	REVISIONS				
P	LTR	DESCRIPTION	DATE	DWN	APVD	
AF	50	E	REV PER ECR 05-010705	03NOV05	JR KR	

IDENTIFICATION NUMBER 4 FOR
MAGNET WIRE RANGE



- ① MAG-MATE CAVITY SPECIFICATION.
- ② CONTINUOUS STRIP ON REELS WITH TERMINALS LOCATED ON .220 CENTERS.
- ③ SLOT TERMINATES EITHER SINGLE OR DOUBLE MAGNET WIRES OF THE SAME TYPE AND SIZE, COPPER RANGE IS #33-#31 AWG.
- ④ .000080/.000250 TIN PLATE.



63443-1
PART NO.

THIS DRAWING IS A CONTROLLED DOCUMENT.		DWN MS FEHER 10/25/88	Tyco Electronics Corporation Harrisburg, PA 17105-3608																		
DIMENSIONS: INCHES		CHK JR RUTH 10/25/88	NAME TL SHUTTER																		
TOLERANCES UNLESS OTHERWISE SPECIFIED:		APVD 10/25/88	PRODUCT SPEC																		
<table border="0"> <tr><td>0</td><td>PLC</td><td>± -</td></tr> <tr><td>1</td><td>PLC</td><td>± -</td></tr> <tr><td>2</td><td>PLC</td><td>± -</td></tr> <tr><td>3</td><td>PLC</td><td>± .006</td></tr> <tr><td>4</td><td>PLC</td><td>± -</td></tr> <tr><td>ANGLES</td><td></td><td>± -</td></tr> </table>		0	PLC	± -	1	PLC	± -	2	PLC	± -	3	PLC	± .006	4	PLC	± -	ANGLES		± -	APPLICATION SPEC 114-2046 ①	
0	PLC	± -																			
1	PLC	± -																			
2	PLC	± -																			
3	PLC	± .006																			
4	PLC	± -																			
ANGLES		± -																			
MATERIAL H04 BRASS	FINISH - ④	WEIGHT -	SIZE A3	CAGE CODE 00779																	
		DRAWING NO C-63443	RESTRICTED TO -																		
CUSTOMER DRAWING		SCALE 5:1	SHEET 1 of 1	REV E																	