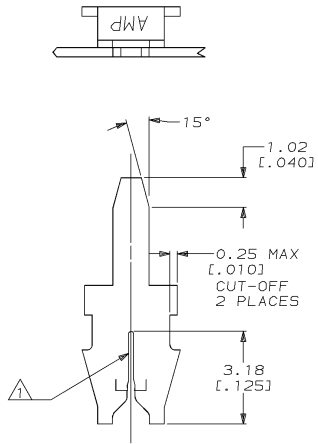
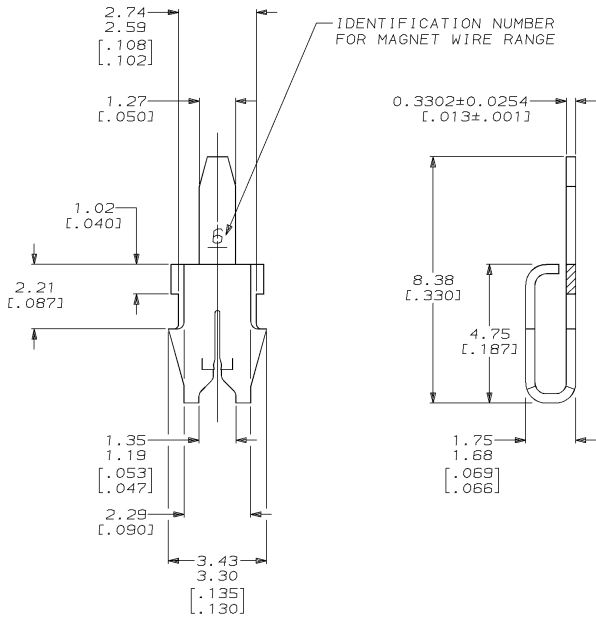


DRAWING MADE IN THIRD ANGLE PROJECTION
 THIS DRAWING IS UNPUBLISHED. RELEASED FOR PUBLICATION, 19
 © COPYRIGHT 19 BY AMP INCORPORATED. ALL INTERNATIONAL RIGHTS RESERVED.

REVISIONS									
LOC	DIST	P	F	ZONE	LTR	DESCRIPTION	DATE	APPD	REV
AF	50				D	REV PER 0710-0196-96	18JUN96	RG/NN	

- ⚠ SLOTT ACCEPTS 0.25-0.32mm [#30-#28] AWG COPPER MAGNET WIRE.
- ⚠ 0.002032[.000080] MIN TIN PER MIL-T-10727 OVER 0.00127[.000050] MIN NICKEL PER QQ-N-290



		62874-1	
		PART NO	
DO NOT SCALE PRINT. UNLESS SPECIFIED DIMENSIONS IN mm [INCHES] TOLERANCES ON : 2 PLC DEC ± 0.25 [.010] 3 PLC DEC ± - ANGLES ± -		DR 25/MAY/84 R.R. BUCHHEISTER	
MATERIAL H04 BRASS		CHK 26/MAY/84 M.S. FEHER	
FINISH ⚠		APPD 06/JUN/84 A. HUNT III	
APPLICATION SPEC 114-2069		NAME T.L. SHUTTER	
WEIGHT -		SIZE C	CAGE CODE 00779
		DRAWING NO C-62874	PRODUCT SPEC -
		SCALE 10:1	SHEET 1 OF 1

THIS DRAWING IS A CONTROLLED DOCUMENT FOR AMP INCORPORATED. IT IS SUBJECT TO CHANGE AND THE CONTROLLING ENGINEERING ORGANIZATION SHOULD BE CONTACTED FOR THE LATEST REVISION.

CUSTOMER DRAWING