

4

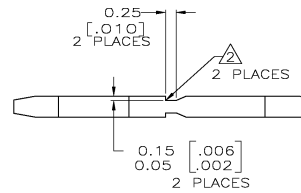
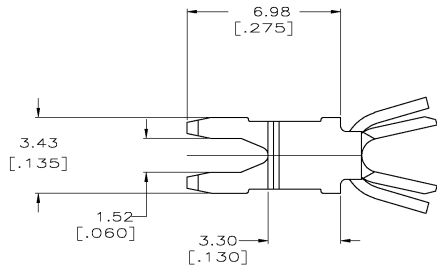
3

2

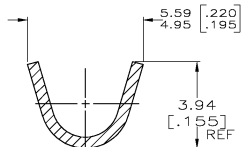
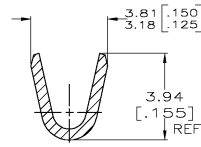
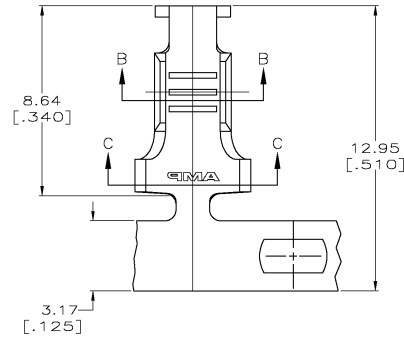
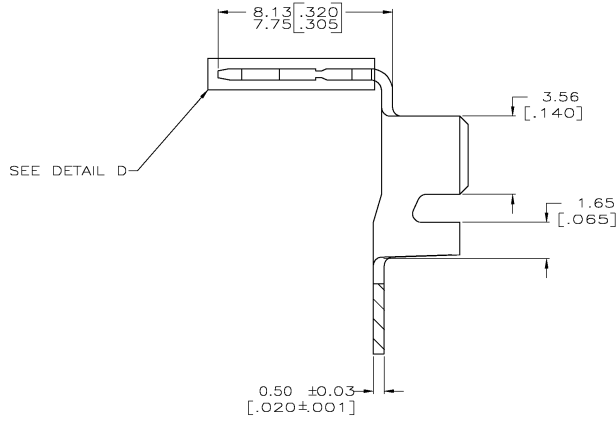
1

THIS DRAWING IS UNPUBLISHED.
 RELEASED FOR PUBLICATION
 BY TYCO ELECTRONICS CORPORATION. ALL RIGHTS RESERVED.

LOC	DIST	REVISIONS			
P	LTR	DESCRIPTION	DATE	OWN	APPD
AF	50	D	REVISED PER 063A-0750-02	17DEC02	MF KR



DETAIL D
 SCALE 15:1



SECTION B-B

SECTION C-C

- 1 CONTINUOUS STRIP ON REELS WITH TERMINALS LOCATED ON 9.14±0.08 [.360±.003] CENTERS
- FOR OPTIMUM RETENTION IN POKE-IN TYPE MAG-MATE TERMINALS, THE SERRATION AS SHOWN MUST BE ENGAGED WITH THE EDGE OF THE LEAF

STANDARD	#18-#14 AWC	2.29-3.56 DIA [.090-.140]	1217214-1
REELING	WIRE RANGE	INSULATION RANGE	PART NUMBER
THIS DRAWING IS A CONTROLLED DOCUMENT			
DW: MICHAEL S. FEYER CHK: KURT A. RANDOLPH APP: KURT A. RANDOLPH		20SEP1999 21SEP1999 21SEP1999	
DIMENSIONS: MM		TYCO Electronics Tyco Electronics Corporation Horriaburg, PA 17105-3608	
0 P.L.C. ± - 1 P.L.C. ± - 2 P.L.C. ± - 3 P.L.C. ± .025(010) 4 P.L.C. ± - ANGLES ± -		108-22045 APPLICATION SPEC: 114-2050	
MATERIAL: OB2 BRASS FINISH: 0.000381 [.000015] MIN PRE-TIN PLATE		SEE CASE CODE DRAWING NO: A2 00779 © 1217214 RESTRICTED TO: -	
CUSTOMER DRAWING		SCALE: 8:1 SHEET 1 OF 1 REV D	