

4

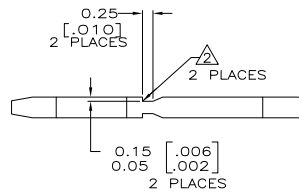
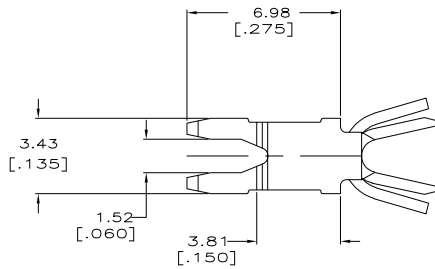
3

2

1

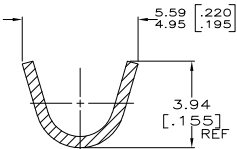
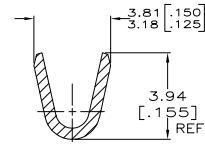
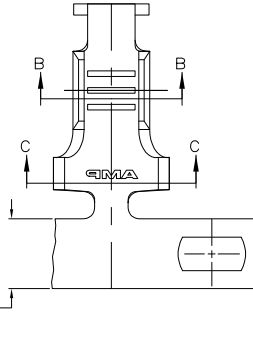
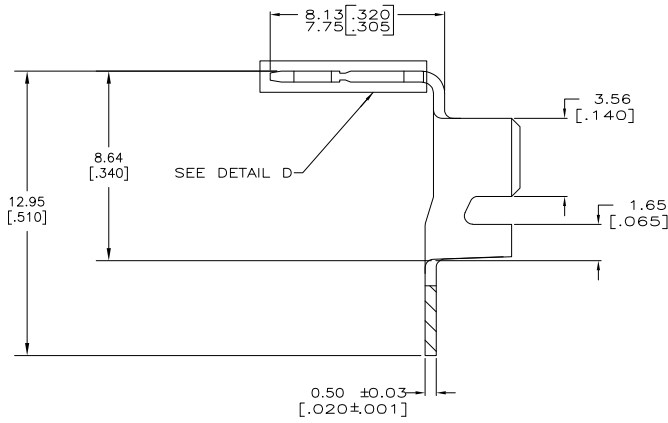
THIS DRAWING IS UNPUBLISHED. RELEASED FOR PUBLICATION  
 © COPYRIGHT BY TYCO ELECTRONICS CORPORATION. ALL RIGHTS RESERVED.

LOC		DIST		REVISIONS			
P	LTR	DATE	MIN	APD	DESCRIPTION		
J1		03JAN07	MF	KR	REVISED PER ECR-06-020896		



DETAIL D  
SCALE 15:1

1 CONTINUOUS STRIP ON REELS WITH TERMINALS LOCATED ON 9.14±0.08 [.360±.003] CENTERS  
 FOR OPTIMUM RETENTION IN POKE-IN TYPE MAG-MATE TERMINALS, THE SERRATION AS SHOWN MUST BE ENGAGED WITH THE EDGE OF THE LEAF



OBSOLETE	REVERSE	#18-#14 AWG	2.79-3.56 DIA	63458-2
	STANDARD	#18-#14 AWG	2.29-3.56 DIA	63458-1
	REELING	WIRE RANGE	INSULATION RANGE	PART NUMBER
THIS DRAWING IS A CONTROLLED DOCUMENT.		220207 MICHAEL S. FEHLER	Tyco Electronics Corporation Harrisburg, PA 17105-3608	
DIMENSIONS:		200008 RICHARD GRZYBOWSKI	Tyco Electronics	
INCHES		210009 NELSON E. NEFF	TAB, POKE-IN, MAG-MATE™	
OTHER DIMENSIONS:		110008 108-22045	APPLICATION SPEC	
MATERIAL		114-2050	SIZE	CHG CODE (DRAWING NO)
FINISH		0.000381 [.000015] MIN PRE-TIN PLATE	A2	00779C=63458
		CUSTOMER DRAWING	RESTRICTED TO	-
			SCALE	8:1 SHEET 1 of 1 REV J1

AMP 1471-9 REV 31MM2000

63458

A