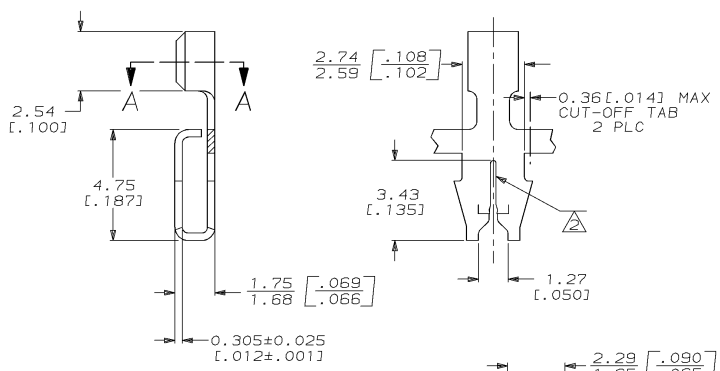
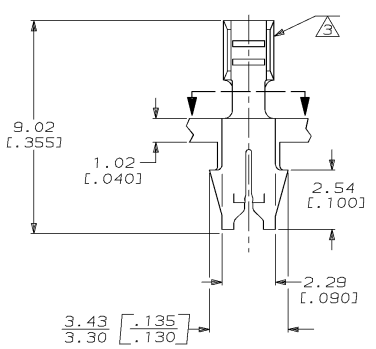
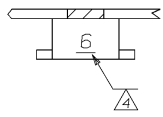


DRAWING MADE IN THIRD ANGLE PROJECTION  
 THIS DRAWING IS UNPUBLISHED. RELEASED FOR PUBLICATION  
 © COPYRIGHT 19 BY AMP INCORPORATED. ALL INTERNATIONAL RIGHTS RESERVED.

| LOC | DIST | P | F | ZONE | LTR | DESCRIPTION              | DATE      | APPD  |
|-----|------|---|---|------|-----|--------------------------|-----------|-------|
| AF  | 50   |   |   |      | K   | REVISED PER 0710-0156-95 | 18/APR/95 | RO/AN |

- 1 CONTINUOUS STRIP ON REELS WITH TERMINALS LOCATED ON 5.08 [ .200 ] CENTERS.
- △ SLOT ACCEPTS A 0.25-0.32 mm DIA [#30-#28] AWG COPPER MAGNET WIRE ONLY (2 WIRES MAX).
- △ WIRE BARREL ACCEPTS 0.12-0.40 mm<sup>2</sup> [#26-#22] AWG LEAD WIRE.
- △ IDENTIFICATION NUMBER FOR MAGNET WIRE RANGE.



SECTION A-A  
 ROTATED 90° CW

|                    |      |                |                         |                         |                         |
|--------------------|------|----------------|-------------------------|-------------------------|-------------------------|
| 3.56<br>[.140]     | F    | 1.40<br>[.055] | 0.87 [.030] 0.354 [.22] | 0.89 [.035] 0.204 [.24] | 0.86 [.034] 0.144 [.26] |
| STRIP LENGTH ±.015 | TYPE | WIDTH          | ±0.051 [E.002] HEIGHT   | WIRE                    |                         |
| WIRE BARREL CRIMP  |      |                |                         |                         |                         |

**METRIC**

|  |  |   |
|--|--|---|
| REVERSE REEL OF 62608-1  | 0.00381 [E.000150] MIN THK PER MIL-T-10727   | 62608-3                                       |
| -  | 0.00381 [E.000150] MIN THK PER MIL-T-10727   | 62608-1                                       |
| REELING  | FINISH   | PART NO                                       |
| DO NOT SCALE PRINT.<br>UNLESS SPECIFIED<br>DIMENSIONS IN mm [INCHES]<br>TOLERANCES ON :<br>2 PLC DEC ± -<br>3 PLC DEC ± 0.38 [E.015]<br>ANGLES ± - | DR 8/3/89<br>DK SCHRUM<br>CHK 8/16/89<br>MS FEHER<br>APPD 8/16/89<br>NE NEFF<br>APPD 8/17/89<br>TL SHUTTER<br>PRODUCT SPEC - | AMP AMP INCORPORATED<br>Harrisburg, Pa. 17105 |
| MATERIAL<br>#4 HARD BRASS  | FINISH<br>SEE TABLE  | NAME<br>TERMINAL, F CRIMP,<br>MAG-MATE™       |
| APPLICATION SPEC<br>114-2069   | SIZE<br>C  | CAGE CODE<br>00779                            |
| WEIGHT -   | SCALE<br>8:1   | DRAWING NO<br>62608                           |
|  |  | SHEET<br>1 OF 1                               |