

4

3

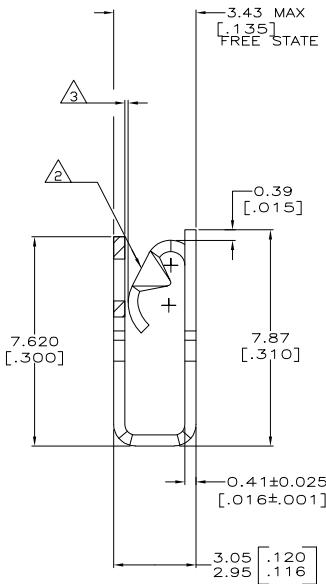
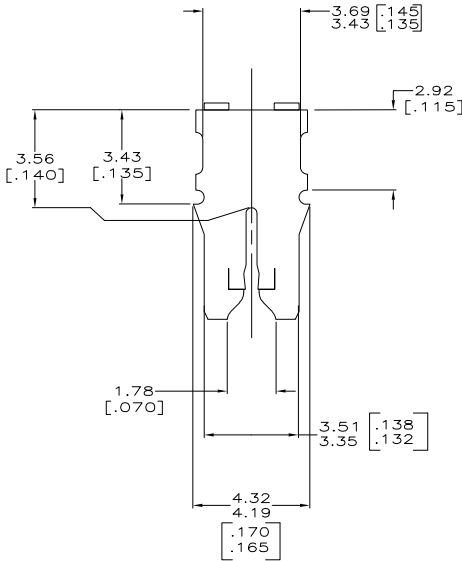
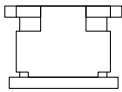
2

1

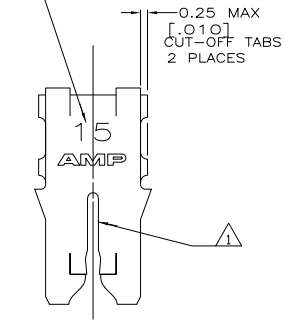
THIS DRAWING IS UNPUBLISHED. RELEASED FOR PUBLICATION
 © COPYRIGHT BY TYCO ELECTRONICS CORPORATION. ALL RIGHTS RESERVED.

LOC	DIST	REVISIONS			
F	LR	DESCRIPTION	DATE	DRN	APD
A1		REV PER ECR 06-030011	02JAN07	JR	KR

- 1 SLOT ACCEPTS A 0.54-0.64mm [#23.5-#22] AWG COPPER MAGNET WIRE.
- 2 MATES WITH STANDARD MAG-MATE STYLED POKE-IN TAB TERMINAL.
- 3 WHEN FREE STATE IS COMPRESSED TO 3.23 [.127] DIMENSION GAP BETWEEN SPRING AND CARRIER IS TO BE 0.30 [.012] MAX.
- 4 0.002032 [.000080] MIN TIN PLATE OVER 0.00127 [.000050] MIN NICKEL UNDERPLATE.



IDENTIFICATION NUMBER 15 FOR MAGNET WIRE RANGE



1742483-1
PART NUMBER

THIS DRAWING IS A CONTROLLED DOCUMENT.		DRN MICHAEL S. FEYER 09K02008	Tyco Electronics Corporation	
DIMENSIONS: mm		CHK KURT A. RANDOLPH 09K02008	Harrisburg, PA 17105-3608	
TOLERANCES UNLESS OTHERWISE SPECIFIED:		APD KURT A. RANDOLPH 09K02008	SPECIAL LEAF CONTACT, LOOSE PIECE, 300 SERIES MAG-MATE	
0 PLC ± .010		PRODUCT SPEC 108-2012	SIZE CASE CODE DRAWING NO	RESTRICTED TO
1 PLC ± .005		APPLICATION SPEC 114-2046	A2 00779 C=1742483	-
2 PLC ± .0025(.010)		WEIGHT -	SCALE 10:1	SHEET 1 of 1
3 PLC ± .0015		FINISH -	CUSTOMER DRAWING	REV A1
4 PLC ANGLES ± .005				

AMP 1471-9 REV 31MM0200

1742483

A