

4

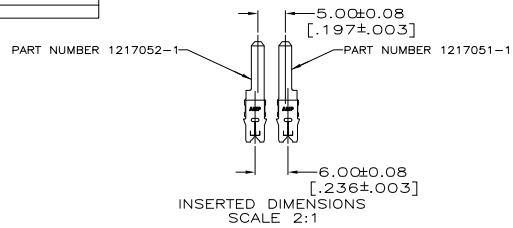
3

2

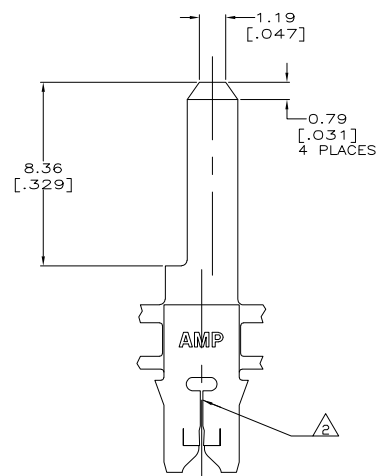
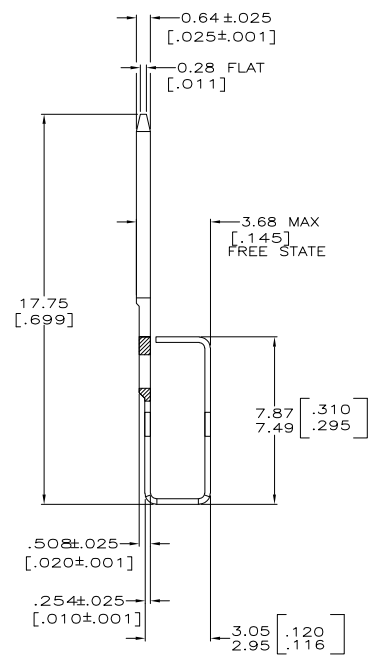
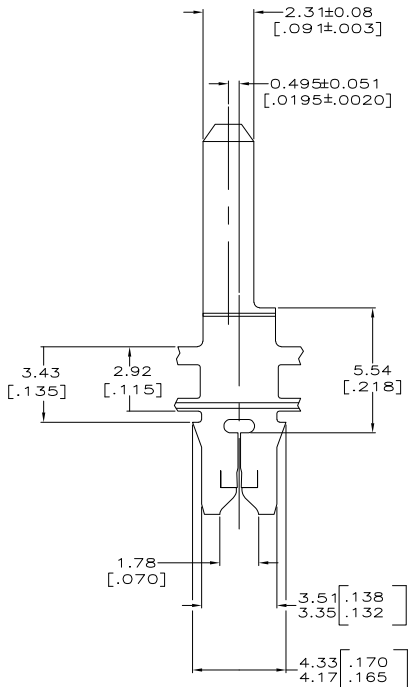
1

THIS DRAWING IS UNPUBLISHED. RELEASED FOR PUBLICATION. BY TYCO ELECTRONICS CORPORATION. ALL RIGHTS RESERVED.

LOC	DIST	REVISIONS				
		REV	DESCRIPTION	DATE	BY	APP'D
AF	50	D	REVISED PER ECR-05-010598	02DEC05	MF	KR



- 1 CONTINUOUS STRIP ON REELS WITH TERMINALS LOCATED ON 5.59±0.08 [.220±.003] CENTERS
- △ SLOTTED TERMINALS EITHER A SINGLE OR DOUBLE MAGNET WIRE OF THE SAME TYPE AND SIZE, COPPER RANGE: 0.25mm [#30] AWG.
- △ SPECIAL PACKAGE MARKINGS—ORANGE COLOR CODE TAG NEXT TO REEL TAG



△ 1217052-1

THIS DRAWING IS A CONTROLLED DOCUMENT.		DRW: MICHAEL S. FEHER	TRNDRS: TYCO	Tyco Electronics Corporation	
		CHK: RICHARD GRZYBOWSKI	DRNDRS: TYCO	Harrisburg, PA 17105-3605	
DIMENSIONS:		APPC: NELSON E. NEFF	NAME:	TAB, 2.31 [.091], RIGHT HAND, MAG-MATE	
INCHES:		PRODUCT SPEC:	108-2012		
TOLERANCES UNLESS OTHERWISE SPECIFIED:		APPLICATION SPEC:	114-2046	SIZE:	A2
0 PLC	±	WEIGHT:	-	CAGE CODE:	00779
1 PLC	±	CUSTOMER DRAWING		DRAWING NO:	1217052
2 PLC	±			SCALE:	8:1
3 PLC	±			SHEET:	1 of 1
4 PLC	±			REV:	D
ANGLES	±				
MATERIAL:	H04 PRE-MILLED BRASS	FINISH:	0.002032 [.000080] MIN TIN PLATE		

AMP 1471-9 REV 31MAR2000

1217052

A