

4

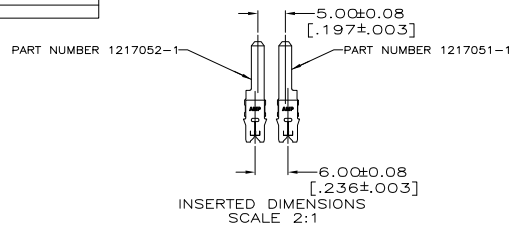
3

2

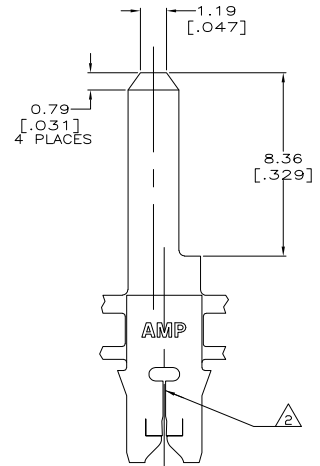
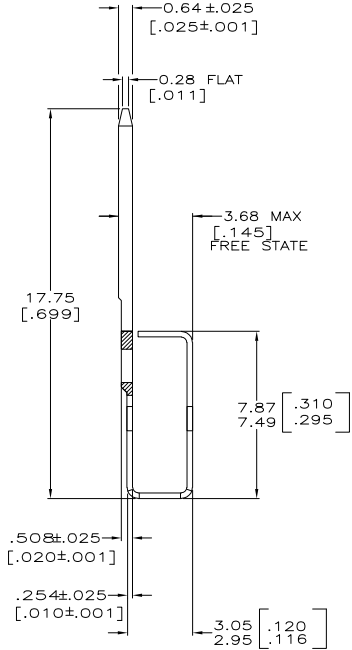
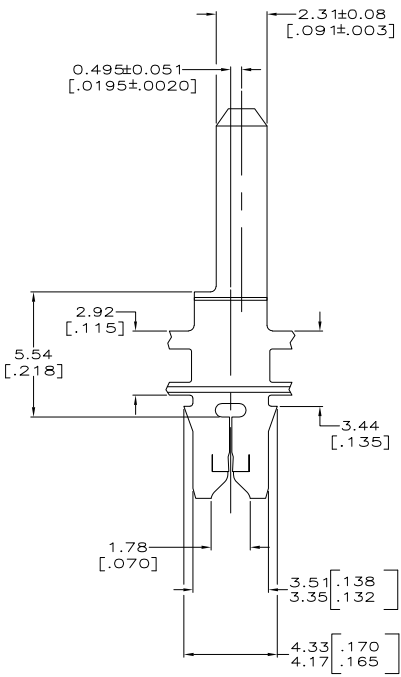
1

THIS DRAWING IS UNPUBLISHED. RELEASED FOR PUBLICATION. BY TYCO ELECTRONICS CORPORATION. ALL RIGHTS RESERVED.

LOC	DIST	REVISIONS		
AF	50	REV	DESCRIPTION	DATE
		D	REVISED PER ECR-05-010598	02DEC05
				MF KR



- 1 CONTINUOUS STRIP ON REELS WITH TERMINALS LOCATED ON 5.59±0.08 [.220±.003] CENTERS
- △ SLOTTED TERMINALS EITHER A SINGLE OR DOUBLE MAGNET WIRE OF THE SAME TYPE AND SIZE, COPPER RANGE: 0.25mm [#30] AWG.
- △ SPECIAL PACKAGE MARKINGS—ORANGE COLOR CODE TAG NEXT TO REEL TAG



△ 1217051-1 PART NUMBER

THIS DRAWING IS A CONTROLLED DOCUMENT.		DRW MICHAEL S. FEHER	TYCO	Tyco Electronics Corporation
DIMENSIONS: INCHES		CHK RICHARD GRZYBOWSKI	Electronics	Harrisburg, PA 17105-3608
TOLERANCES UNLESS OTHERWISE SPECIFIED:		APPC NELSON E. NEFF	PART NUMBER	
0 PLC	±	108-2012	TAB, 2.31 [.091], LEFT HAND, MAG-MATE	
1 PLC	±	APPLICATION SPEC	RESTRICTED TO	
2 PLC	± 0.1% (.005)	114-2046	SIZE	CAGE CODE
3 PLC	±	WEIGHT	A2	00779
4 PLC	±	CUSTOMER DRAWING	DRAWING NO	
ANGLES	±		C-1217051	
MATERIAL	FINISH		SCALE	SHEET
H04 PRE-MILLED BRASS	0.002032 [.000080]		8:1	1 of 1
	MINI TIN PLATE			REV D

AMP 1471-9 REV 31MAR2000

1217051