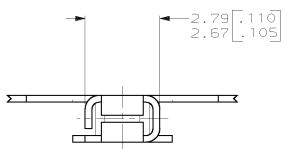
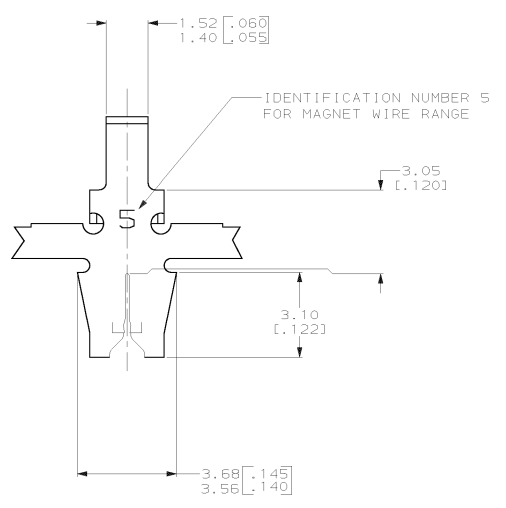
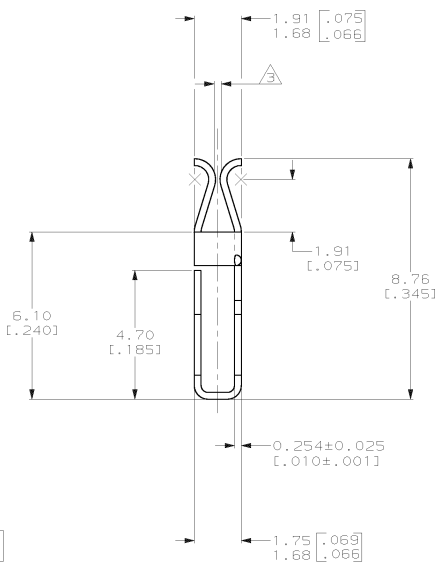
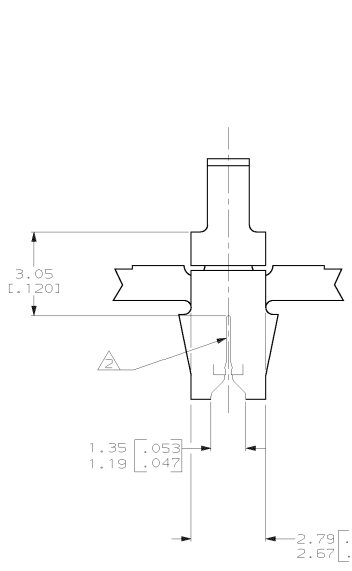


THIS DRAWING IS UNPUBLISHED. RELEASED FOR PUBLICATION
 (C) COPYRIGHT IS BY AMP INCORPORATED. ALL RIGHTS RESERVED.

REV	DATE	BY	APP'D	DESCRIPTION
A				REVISED STATUS PER 063A-0101-01



1 CONTINUOUS STRIP ON REELS WITH TERMINALS LOCATED ON 8.38±0.08 [.330±.003] CENTERS.
 △ SLOT ACCEPTS EITHER A SINGLE OR DOUBLE MAGNET WIRE OF THE SAME SIZE AND TYPE.
 COPPER RANGE: 0.20-0.23mm [#32-#31] AWG.
 △ FITS A 0.508±0.025 [.020±.001] THICK TAB.



1217538-1
PART NUMBER

THIS DRAWING IS A CONTROLLED DOCUMENT.		DWG: MICHAEL S. FERRELL DATE: 08/20/00 DESIGNED BY: EURT A. RANDOLPH DATE: 08/20/00 CHECKED BY: EURT A. RANDOLPH DATE: 08/20/00	AMP AMP Incorporated Harrisburg, PA 17105-3608
DIMENSIONS: mm (INCHES) DECIMALS: 0.0005 (0.0002)	DIMENSIONS: mm (INCHES) DECIMALS: 0.0005 (0.0002)	PRODUCT SPEC: 108-2012 APPLICATION SPEC: 97-1039-190 WEIGHT: - MIN TIN: -	RECEPTACLE, TAB, MAG-MATE™ SIZE: A2 CASE CODE: 00779 PRINTING NO: 1217538 RESTRICTED TO: - SCALE: 10:1 SHEET: 1 OF 1 REV: A