

4

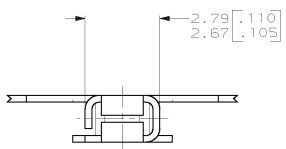
3

2

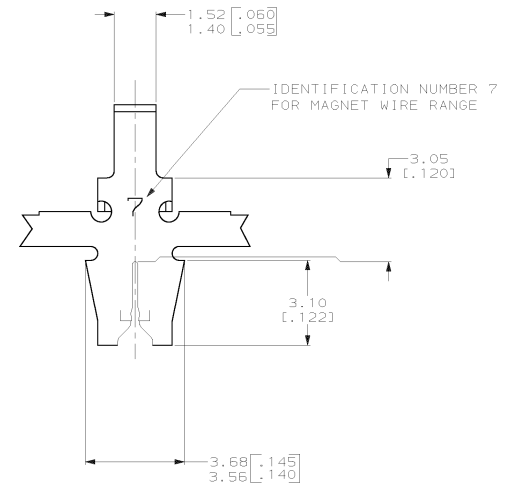
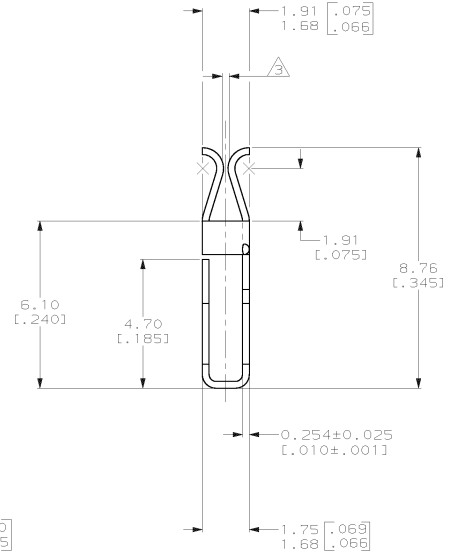
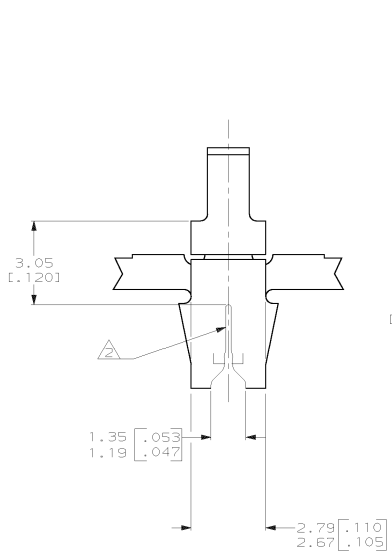
1

THIS DRAWING IS UNPUBLISHED. RELEASED FOR PUBLICATION. (C) COPYRIGHT IS BY AMP INCORPORATED. ALL RIGHTS RESERVED.

REV	DATE	BY	APP'D	DESCRIPTION
C	06FEB01	HF	KR	REVISED STATUS PER 063A-0091-01



1 CONTINUOUS STRIP ON REELS WITH TERMINALS LOCATED ON 8.38±0.08 [.330±.003] CENTERS.
 △ SLOT ACCEPTS EITHER A SINGLE OR DOUBLE MAGNET WIRE OF THE SAME SIZE AND TYPE.
 COPPER RANGE: 0.29-0.32mm [#29-#28] AWG.
 △ FITS A 0.508±0.025 [.020±.001] THICK TAB.



1217458-1 PART NUMBER

THIS DRAWING IS A CONTROLLED DOCUMENT.		DRW: MICHAEL S. FEHNER	AMP INCORPORATED
DIMENSIONS: mm (INCHES)		APP'D: EURT A. RANDOLPH	AMP Incorporated Harrisburg, PA 17105-3608
MATERIAL: H04 PHOS. BRONZE		PRODUCT SPEC: 108-2012	RECEPTACLE, TAB, MAG-MATE™
FINISH: 0.002032 [.000080]		APPLICATION SPEC: 97-1039-190	SIZE CASE CODE (PRINTING NO): A200779
MIN TIN		WEIGHT: -	SCALE: 10:1 SHEET 1 OF 1 REV C

1217458