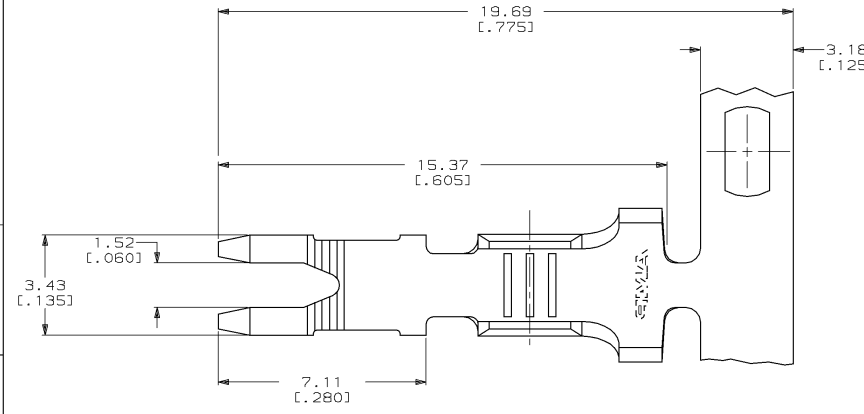
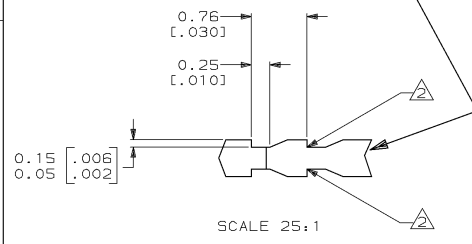
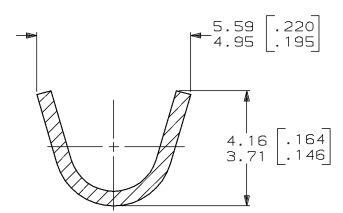
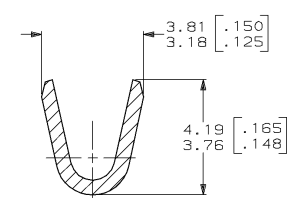
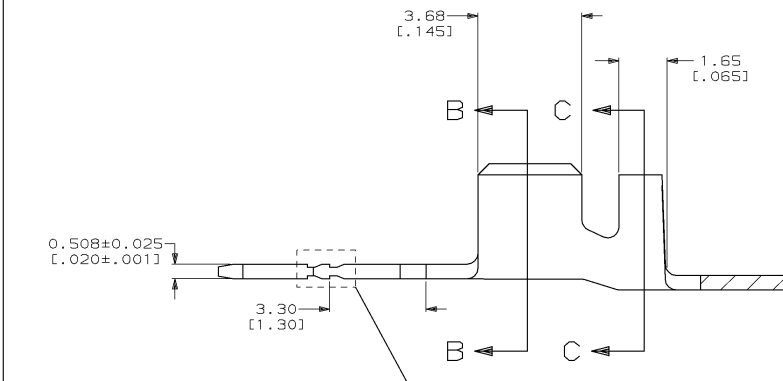


THIS DRAWING IS UNPUBLISHED. RELEASED FOR PUBLICATION .19
 © COPYRIGHT 19 BY AMP INCORPORATED. ALL INTERNATIONAL RIGHTS RESERVED.

REVISIONS									
LOC	DIST	P	F	ZONE	LTR	DESCRIPTION	DATE	APPD	
AF	50					D	REACTIVATED PER AF-8121-92	9-15-92	LAM



1 CONTINUOUS STRIP ON REELS
 FOR OPTIMUM RETENTION IN POKE-IN TYPE MAG-MATE TERMINALS, ONE OF THE SERRATIONS, AS SHOWN, MUST BE ENGAGED WITH THE EDGE OF THE LEAF



SCALE 25:1

THIS DRAWING IS A CONTROLLED DOCUMENT FOR AMP INCORPORATED. IT IS SUBJECT TO CHANGE AND THE CONTROLLING ENGINEERING ORGANIZATION SHOULD BE CONTACTED FOR THE LATEST REVISION.

2.29-3.56 DIA [.090-.140]		0.8-2.0 mm ² [18 - 14] AWG		63397-1	
INSULATION RANGE		WIRE RANGE		PART NO	
DO NOT SCALE PRINT. UNLESS SPECIFIED DIMENSIONS IN mm (INCHES) TOLERANCES ON: 2 PLG DEC ± 0.25 (.010) 3 PLG DEC ± ANGLES ± -		DR 9-15-92 L.A.MAYER CHK 9-16-92 M.S.FEHER APPD 9-16-92 N.E.NEFF		AMP AMP Incorporated Harrisburg, PA 17105-3608	
MATERIAL 082 BRASS		APPD 9-16-92 T.L.SHUTTER PRODUCT SPEC		NAME TAB, POKE-IN, MAG-MATE™	
FINISH 0.002032 (.000080) MIN TIN PER (MIL-T-10727)		APPLICATION SPEC 114-2050		SIZE C 00779	DRAWING NO C-63397
WEIGHT -		SCALE 10:1		SHEET 1 OF 1	

AMP 1471-6 REV 3-92
 21 SEP 1992 06:30:53 AMP12637 <US128A>DEPT2127>DWG2127>U.MAG-MATE-U.POKETAB

CUSTOMER DRAWING