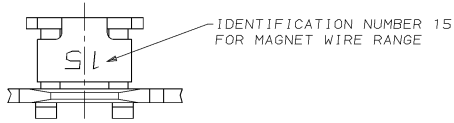


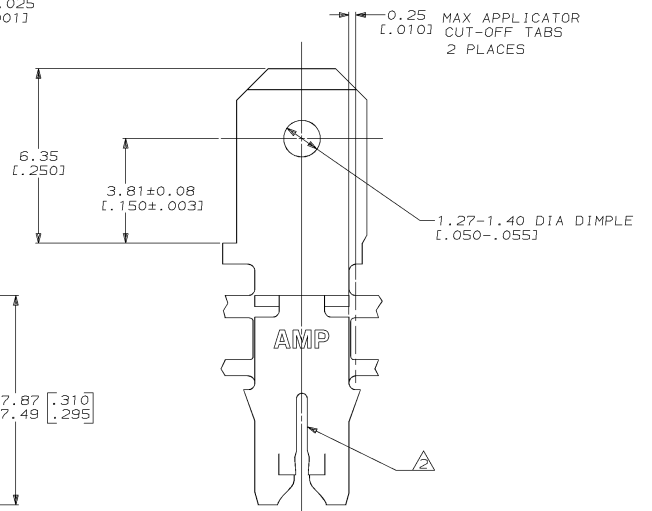
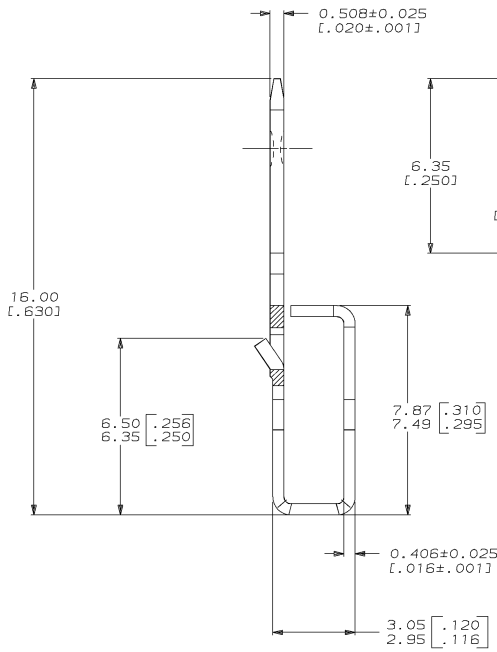
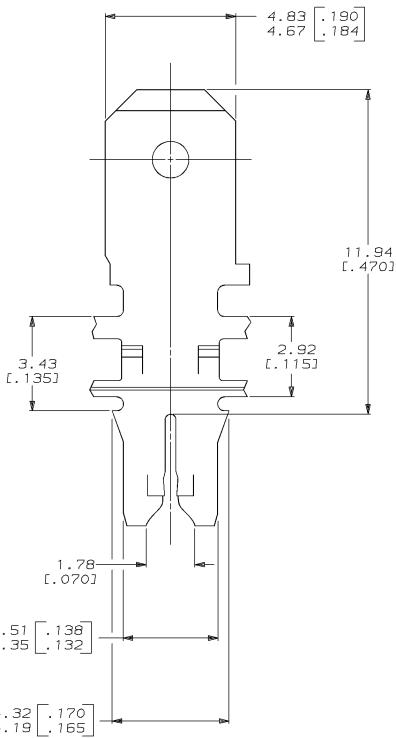
4 3 2 1

THIS DRAWING IS UNPUBLISHED. RELEASED FOR PUBLICATION BY AMP INCORPORATED. ALL RIGHTS RESERVED.

LOC		DIST		REVISIONS			
F	LTR	DESCRIPTION	DATE	BY	APP'D		
B		REDRAWN AND UPDATED 0710-0302-96	26.JUL.96	MF	NN		



1 CONTINUOUS STRIP ON REELS WITH TERMINALS LOCATED ON 5.59 ± 0.08 [$.220 \pm .003$] CENTERS. SLOT TERMINATES A SINGLE MAGNET WIRE ONLY. COPPER RANGE: $0.57-0.81$ mm [#23-#20] AWG.



63340-1
PART NUMBER

THIS DRAWING IS A CONTROLLED DOCUMENT.		DATE: 26.JUL.96	AMP Incorporated
DRAWN BY: MICHAEL S. FENNER		DATE: 26.JUL.96	Harrisburg, PA 17105-3608
CHECKED BY: RICHARD GRZYBOWSKI		DATE: 26.JUL.96	
DESIGNED BY: NELSON E. NEFF		DATE: 26.JUL.96	
PRODUCT SPEC: 108-2012		APPLICATION SPEC: 114-2067	SIZE: A2
MATERIAL: 4M PRE-MILLED BRASS		FINISH: 0.002032 [0.000803] MIN TIN PER MIL-T-10727	WEIGHT: -
DIMENSIONS: mm (INCHES)		UNLESS OTHERWISE SPECIFIED	ANGLE: -
D. PLC: +-		NAME: TERMINAL TAB, 4.75 [.187] FASTON™, MAG-MATE™	
D. PLC: +-		DRAWING NO: 63340	
D. PLC: +0.25(.010)		SCALE: 10:1	
D. PLC: +-		SHEET: 1 OF 1	
D. PLC: +-		REV: B	