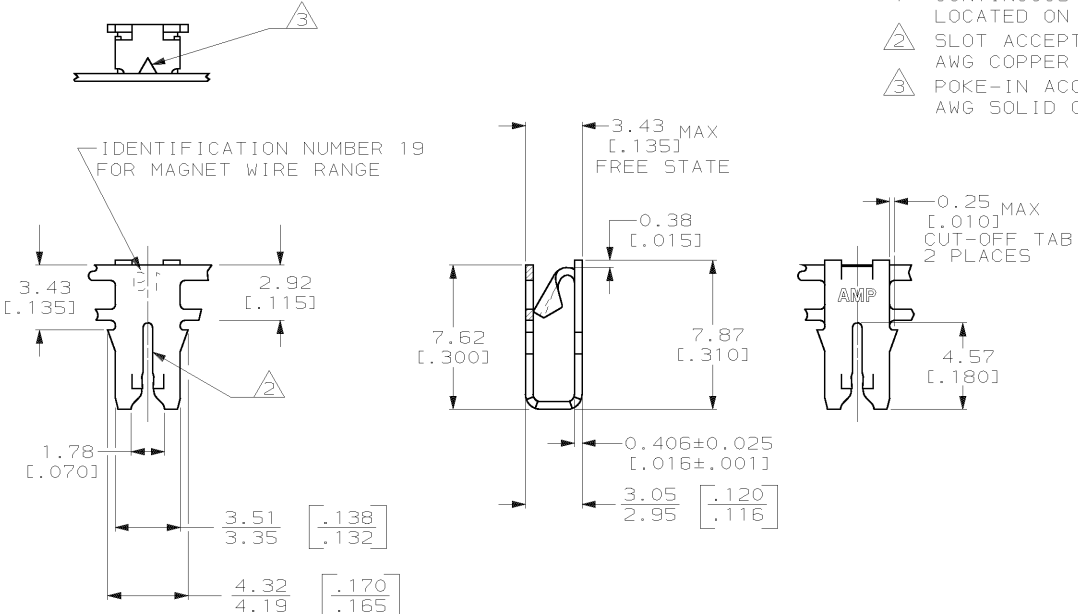


DRAWING MADE IN THIRD ANGLE PROJECTION

THIS DRAWING IS UNPUBLISHED. RELEASED FOR PUBLICATION, 19 .
 © COPYRIGHT 19 BY AMP INCORPORATED. ALL INTERNATIONAL RIGHTS RESERVED.

LOC	DIST	REVISIONS				
		ZONE	LTR	DESCRIPTION	DATE	APPD
AF	50			E REVISED PER 063A-0127-02	26MAR02	MF-KR

- 1 CONTINUOUS STRIP ON REELS WITH TERMINALS LOCATED ON 5.59 [.220] CENTERS.
- 2 SLOT ACCEPTS 0.81mm [#20] AWG COPPER MAGNET WIRE.
- 3 POKE-IN ACCEPTS A 0.81-1.02mm² [#20-#18] AWG SOLID OR FUSED STRANDED LEAD WIRE.



METRIC

63591-1
PART NO

DO NOT SCALE PRINT. UNLESS SPECIFIED DIMENSIONS IN mm [INCHES] TOLERANCES ON: 1. PLC DEC ± 0.25 [.010] 2. PLC DEC ± - ANGLES # -		DR 8/14/90 MICHAEL S. FEHER	AMP INCORPORATED Harrisburg, Pa. 17105	NAME	
MATERIAL #4M HARD BRASS	CHK 8/20/90 PHILLIP M. FORTNEY	TERMINAL, POKE-IN, 300 SERIES MAG-MATE™		SIZE	
FINISH 0.002032 [.000080] MIN TIN	APPD 8/20/90 TERRY L. SHUTTER	APPD 8/20/90 NELSON E. NEFF	PRODUCT SPEC	SCALE	CAGE CODE
	APPLICATION SPEC 114-2046			B	00779
	WEIGHT -			5:1	DRAWING NO 63591
					SHEET 1 OF 1