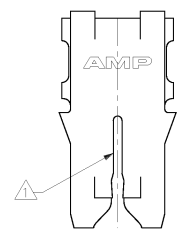
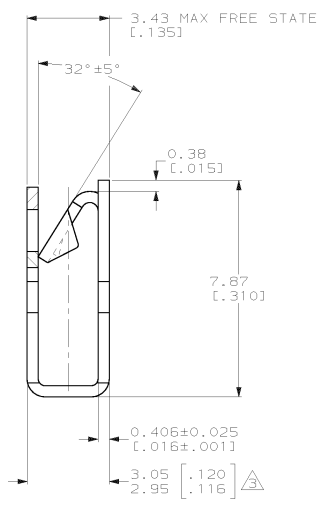
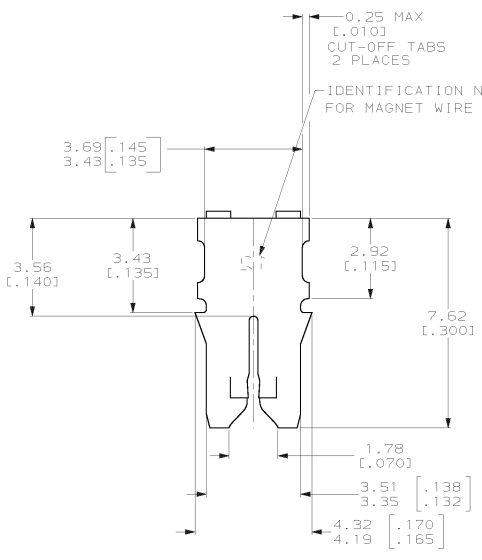
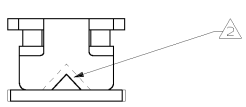


4 3 2 1

THIS DRAWING IS UNCLASSIFIED  
 (C) COPYRIGHT IS BY AMP INCORPORATED. ALL RIGHTS RESERVED.

REV. NO.		DESCRIPTION		DATE	BY	APP'D
AF	50	F	LTR			
		B	REL PER	063A-0032-02	17JAN02	JR KR

- ⚠️ SLOT ACCEPTS 0.45-0.64mm [#25-#22] AWG COPPER MAGNET WIRE. 2 WIRES OF THE SAME SIZE PER SLOT EXCEPT 0.64mm [#22] AWG WHICH IS ONE WIRE ONLY
- ⚠️ POKE-IN ACCEPTS A 0.50-0.90mm² [#20-#18] AWG SOLID OR FUSED STRANDED LEAD WIRE
- ⚠️ MEASURE WHEN FREE STATE IS COMPRESSED TO 2.95 [.116] MAX.



1217757-1  
 PART NUMBER

THIS DRAWING IS A CONTROLLED DOCUMENT		DATE: 06/20/2001	AMP Incorporated Harrisburg, PA 17105-3608	
DRAWN BY: MICHAEL S. FEJES		DATE: 06/20/2001		
CHECKED BY: KURT A. RANDOLPH		DATE: 06/20/2001		
DESIGNED BY: KURT A. RANDOLPH		DATE: 06/20/2001	<b>AMP</b>	
PRODUCT SPEC: 108-2012		APPLICATION SPEC: 114-2046	<b>AMP</b>	
MATERIAL: 4M BRASS		FINISH: 0.002032(1.0000803)	SCALE: 10:1	RESTRICTED TO: -
MIN TIN PLATE		CUSTOMER DRAWING	SHEET: 1 OF 1	REV: B

1217757

A