

4

3

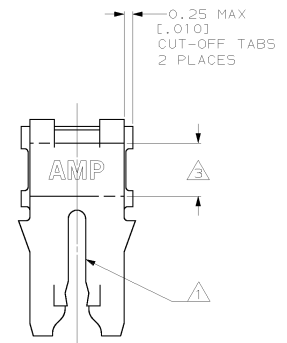
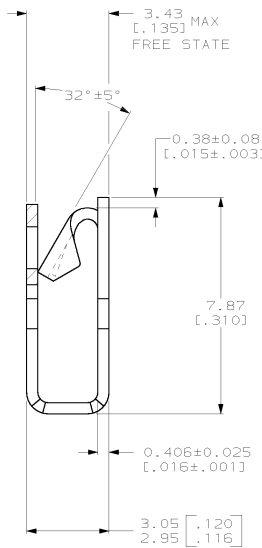
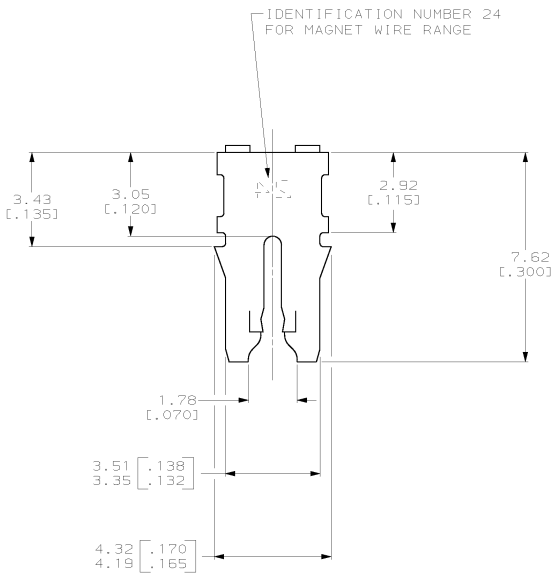
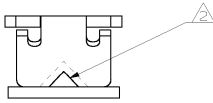
2

1

THIS DRAWING IS UNPUBLISHED. RELEASED FOR PUBLICATION
 (C) COPYRIGHT IS BY AMP INCORPORATED. ALL RIGHTS RESERVED.

REV	DATE	BY	APP'D	DESCRIPTION
A	24AUG00	JR	GP	REL PER 063A-0542-00

- ⚠ SLOTTED ACCEPTS 0.91-1.15mm [#19-#17] AWG COPPER MAGNET WIRE. A SINGLE WIRE ONLY.
- ⚠ POKE-IN ACCEPTS A 0.50-0.90mm² [#20-#18] AWG SOLID OR FUSED STRANDED LEAD WIRE.
- ⚠ ORANGE COLOR STRIPE TO BE APPLIED TO THIS SURFACE DURING LOOSE PIECE OPERATIONS TO PROVIDE COLOR CODING OF MAGNET WIRE RANGE.



62912-1
PART NUMBER

THIS DRAWING IS A CONTROLLED DOCUMENT.		DATE: 17 JUL 2000 BY: MICHAEL S. FEHNER	AMP Incorporated Harrisburg, PA 17105-3608	TERMINAL, POKE-IN, LOOSE PIECE, 300 SERIES MAG-MATE	RESTRICTED TO
DIMENSIONS: mm (INCHES)		DATE: 17 JUL 2000 BY: EURT A. RANDOLPH			