

4

3

2

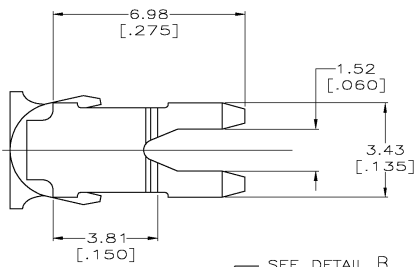
1

THIS DRAWING IS UNPUBLISHED. RELEASED FOR PUBLICATION
 © copyright BY TYCO ELECTRONICS CORPORATION. ALL RIGHTS RESERVED.

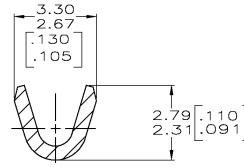
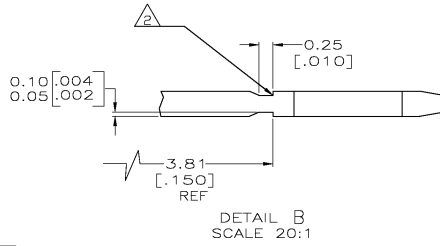
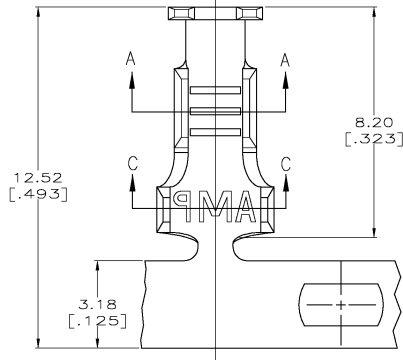
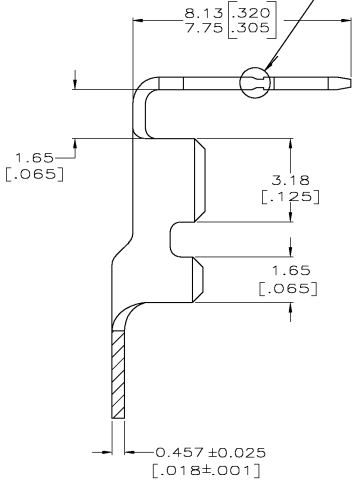
LOC		DIST		REVISIONS			
P	LTR	DESCRIPTION	DATE	OWN	APPD		
B		REVISED PER 063A-0750-02	17DEC02	MF	KR		

1 CONTINUOUS STRIP ON REELS

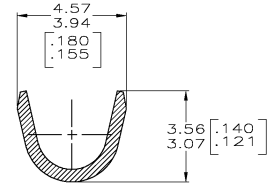
△ FOR OPTIMUM RETENTION IN POKE-IN TYPE MAG-MATE TERMINALS, THE SERRATION AS SHOWN MUST BE ENGAGED WITH THE EDGE OF THE LEAF



SEE DETAIL B



SECTION A-A



SECTION C-C

1.52-2.54 [.060-.100] DIA	0.3-0.8mm ² [#22-#18] AWG	1217132-1
INSULATION RANGE	WIRE RANGE	PART NUMBER

THIS DRAWING IS A CONTROLLED DOCUMENT.		DW 12021998 MICHAEL S. FEHLER		Tyco Electronics Corporation	
DIMENSIONS:		CHK 12021998 PHILLIP M. FORTINSKY		Horrisburg, PA 17105-3608	
MATERIAL:		APPD 12021998 PETE DESANTIS		TAB, POKE-IN, MAG-MATE™	
FINISH:		PRODUCT SPEC 108-22045		RESTRICTED TO	
OB1 BRASS		APPLICATION SPEC 114-2050		SEE CASE CODE DRAWING NO	
0.000381 [.000015] MIN PRE-TM PLATE		WEIGHT -		A2 00779 C=1217132	
		CUSTOMER DRAWING		SCALE 10:1 SHEET 1 OF 1 REV B	

AMP 1471-9 REV 31 MAR 2000

1217132

A