

4

3

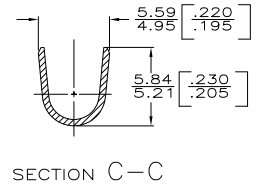
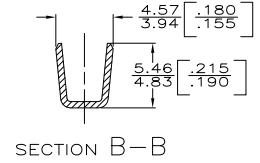
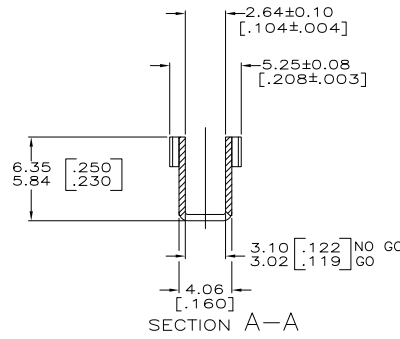
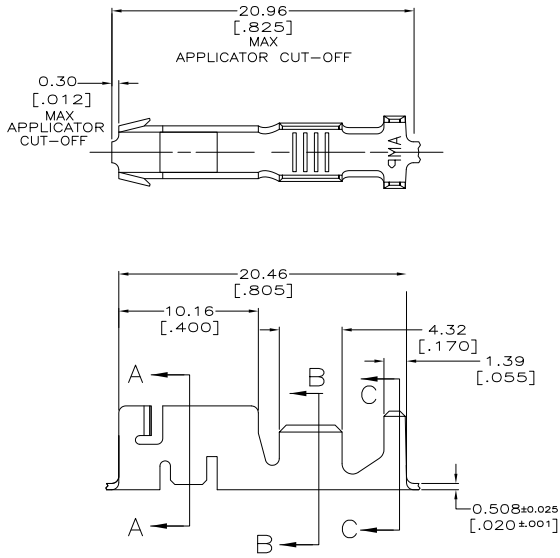
2

1

THIS DRAWING IS UNPUBLISHED. RELEASED FOR PUBLICATION
 © COPYRIGHT BY TYCO ELECTRONICS CORPORATION. ALL RIGHTS RESERVED.

LOC	DIST	REVISIONS		
F	LNK	DESCRIPTION	DATE	BY
AF	50	F1	REVISED PER ECR-08-030897	10DEC08 HMR GJ

- 1 CONTINUOUS STRIP ON REELS WITH TERMINALS LOCATED ON 22.61[.890] CENTERS
- 2 PRODUCT SPEC DOES NOT APPLY TO PART NUMBER 1217175-4.
- 3 PART NUMBER 1217175-5 IS NOT QUALIFIED TO THE PRODUCT SPECIFICATION.
- 4 WIRE RANGE: 2.0 - 5.0 mm² [#14-#10 AWG].
- 5 INSULATION RANGE: 4.32[.170] MAX DIAMETER.
- 6 PRELIMINARY - NOT FOR PRODUCTION.



TYPE	WIDTH	STRIP LENGTH	TYPE	WIDTH	±0.05 [±.002] HEIGHT	WIRE
F OR O	4.57 [180]	6.22 [245]	F	3.56 [140]	2.97 [117]	5.0mm ² [10]
					2.54 [100]	3.0mm ² [12]
					2.24 [88]	2.0mm ² [14]
INSUL BARREL CRIMP	WIRE BARREL CRIMP					

FINISH	MATERIAL	PART NUMBER
UNPLATED	H03 PH BRONZE	6 3 1217175-5
POST TIN	H02 CU-FE, C19500	6 2 1217175-4
POST TIN	H03 PHOSPHOR BRONZE	1217175-1

THIS DRAWING IS A CONTROLLED DOCUMENT. DWG: MICHAEL S. FEHR 06JUL1999
 CHK: PETE DESANTIS 07AUG1999
 TycO Electronics Corporation
 Harrisburg, PA 17105-3608

PETE DESANTIS
 PRODUCT SPEC: 108-2008
 APPLICATION SPEC: 114-2019
 NAME: RECEPTACLE, CLUSTER PIN, 3.18 [1.25] DIA

SIZE: A2
 CASE CODE: 00779
 DRAWING NO: C=1217175
 RESTRICTED TO: -

MATERIAL: SEE TABLE
 FINISH: SEE TABLE
 CUSTOMER DRAWING
 SCALE: 5:1
 SHEET: 1 of 1
 REV: F1

AMP 1471-9 REV 31MM2000

1217175

A