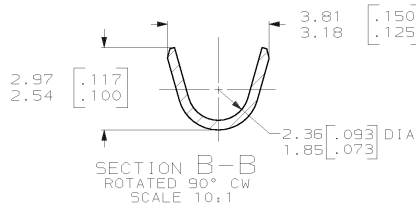
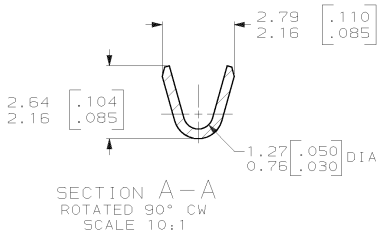
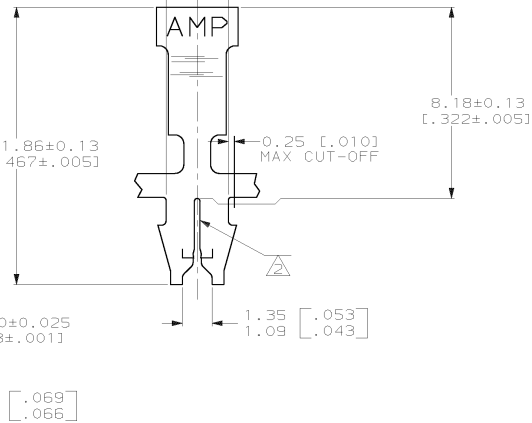
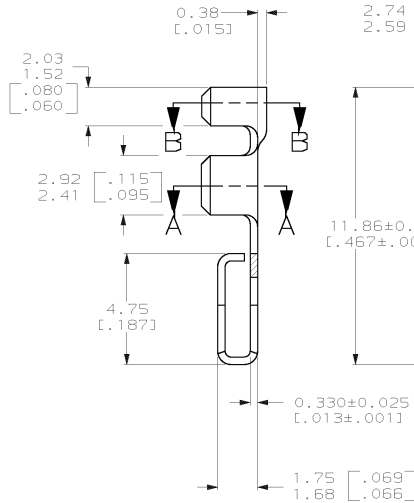
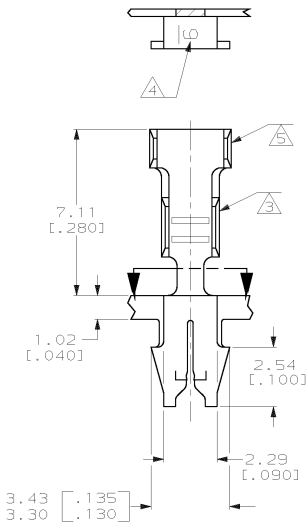


THIS DRAWING IS UNPUBLISHED. RELEASED FOR PUBLICATION .19
 © COPYRIGHT 19 BY AMP INCORPORATED. ALL INTERNATIONAL RIGHTS RESERVED.

LOC	DIST	P	F	ZONE	LTR	REVISIONS	DATE	APPR
AF	50					C	REVISED STATUS -2 PER 063A-0101-02	04M4802 MF-KR



- 1 CONTINUOUS STRIP ON REELS (NO SPLICES) WITH TERMINALS LOCATED ON 8.38±0.08 [.330±.003] CENTERS.
- 2 SLOT ACCEPTS 0.36-0.45mm [#27-#25] AWG COPPER MAGNET WIRE 2 WIRES MAX OF THE SAME SIZE PER SLOT.
- 3 WIRE BARREL ACCEPTS 0.3-1.0mm² [#22-#18] AWG LEAD WIRE.
- 4 IDENTIFICATION NUMBER 9 FOR WIRE SLOT SIZE.
- 5 INSULATION BARREL ACCEPTS 1.80-2.23 [.071-.088] DIA INSULATION.
- 6 0.00203 [.000080] - 0.00381 [.000150] TIN PLATE PER MIL-T-10727 OVER 0.00254 [.000100] - 0.00508 [.000200] COPPER UNDERPLATE PER MIL-C-14550.



0	2.79 [.110]	3.56 [.140]	F	1.78 [.070]	1.08 [.043]	0.41 [.22]
					1.18 [.047]	0.51 [.28]
					1.32 [.052]	0.81 [.18]
TYPE	WIDTH	STRIP LENGTH ±.015	TYPE	WIDTH	±.091 [.042] HEIGHT	WIRE
INSUL BARREL CRIMP			WIRE BARREL CRIMP			

THIS DRAWING IS A CONTROLLED DOCUMENT FOR AMP INCORPORATED. IT IS SUBJECT TO CHANGE AND THE CONTROLLING ENGINEERING ORGANIZATION SHOULD BE CONTACTED FOR THE LATEST REVISION.

REVERSE		63856-2	
STANDARD		63856-1	
REELING		PART NUMBER	
DO NOT SCALE PRINT. UNLESS SPECIFIED DIMENSIONS IN mm (INCHES) TOLERANCES ON : 2 PLC DEC ± 0.13 (.005) 3 PLC DEC ± . ANGLES ± -		AMP Incorporated Harrisburg, PA 17105-3608	
MATERIAL H04 BRASS		NAME	
FINISH		PRODUCT SPEC 108-2012	
WEIGHT		SIZE CAGE CODE 00779	DRAWING NO C-63856
		SCALE 8:1	SHEET 1 OF 1

CUSTOMER DRAWING

63856

A

D

C

B

A

D

C

B

A

D

C

B

A

D

C

B

A

D

C

B

A

D

C

B

A

D

C

B

A

D

C

B

A

D

C

B

A

D

C

B

A

D

C

B

A

D

C

B

A

D

C

B

A

D

C

B

A

D

C

B

A

D

C

B

A

D

C

B

A

D

C

B

A

D

C

B

A

D

C

B

A

D

C

B

A

D

C

B

A

D

C

B

A

D

C

B

A

D

C

B

A

D

C

B

A

D

C

B

A

D

C

B

A

D

C

B

A

D

C

B

A

D

C

B

A

D

C

B

A

D

C

B

A

D

C

B

A

D

C

B

A

D

C

B

A

D

C

B

A

D

C

B

A

D

C

B

A

D

C

B

A

D

C

B

A

D

C

B

A

D

C

B

A

D

C

B

A

D

C

B

A

D

C

B

A

D

C

B

A

D

C

B

A

D

C

B

A

D

C

B

A

D

C

B

A

D

C

B

A

D

C

B

A

D

C

B

A

D

C

B

A

D

C

B

A

D

C

B

A

D

C

B

A

D

C

B

A

D

C

B

A

D

C

B

A

D

C

B

A

D

C

B

A

D

C

B

A

D

C

B

A

D

C

B

A

D

C

B

A

D

C

B