

4

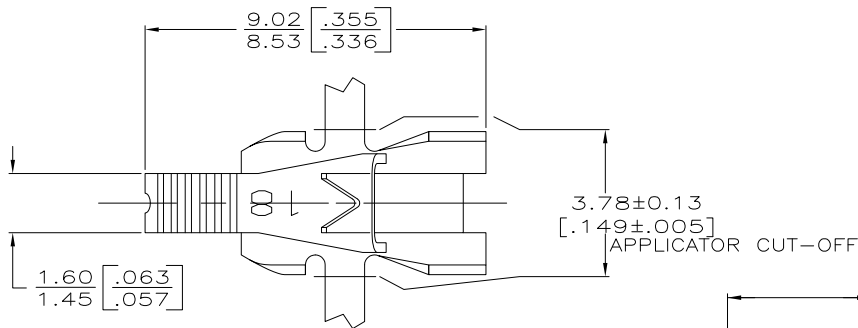
3

2

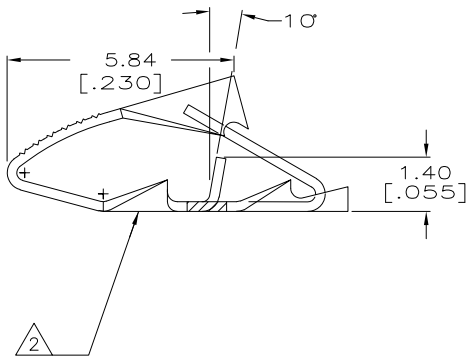
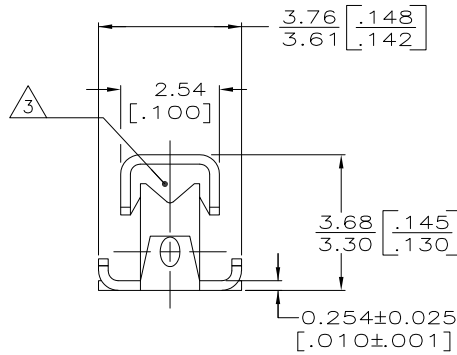
1

THIS DRAWING IS UNPUBLISHED. RELEASED FOR PUBLICATION
 © COPYRIGHT - BY TYCO ELECTRONICS CORPORATION. ALL RIGHTS RESERVED.

LOC	DIST	REVISIONS				
P	LTR	DESCRIPTION	DATE	DWN	APVD	
AF	50					
		REVISED PER ECR-08-005579	11MAR08	HMR	KR	



- 1 CONTINUOUS STRIP ON REELS WITH TERMINALS LOCATED ON 6.10 [.240] CENTERS.
- 2 IDENTIFICATION NUMBER (18) FOR MAGNET WIRE RANGE.
- 3 SOLID OR FUSED STRANDED LEAD WIRE 0.3-0.9mm² [#22-#18] AWG.



0.10-0.25mm [#38-#30] AWG	62606-1
COPPER MAGNET WIRE RANGE	
PART NO	

THIS DRAWING IS A CONTROLLED DOCUMENT.		DWN	9/27/89	Tyco Electronics		Tyco Electronics Corporation	
DIMENSIONS:		CHK	10/12/89	Harrisburg, PA 17105-3608		NAME	
INCHES		MICHAEL S. FEHER		TERMINAL, POKE-IN,		MINI MAG-MATE™	
TOLERANCES UNLESS OTHERWISE SPECIFIED:		JEFF R. RUTH		PRODUCT SPEC		RESTRICTED TO	
0 PLC ± -		APVD		10/12/89		SIZE	
1 PLC ± -		NELSON E. NEFF		APPLICATION SPEC		CAGE CODE	
2 PLC ± -		114-2047		114-2047		DRAWING NO	
3 PLC ± 0.25 [.010]		WEIGHT		A3		00779	
4 PLC ± -		CUSTOMER DRAWING		C=62606		SCALE	
ANGLES ± -		SCALE		10:1		SHEET	
MATERIAL		FINISH		0.002032 [.000080]		1 OF 1	
2M BRASS		MIN TIN				REV	
						P	

AMP 1470-19 REV 31MAR2000