

4

3

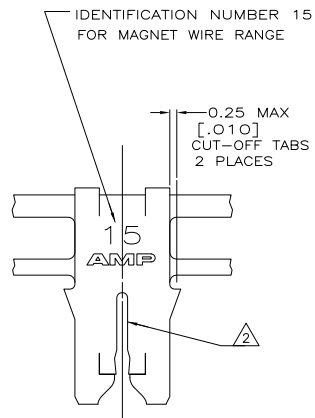
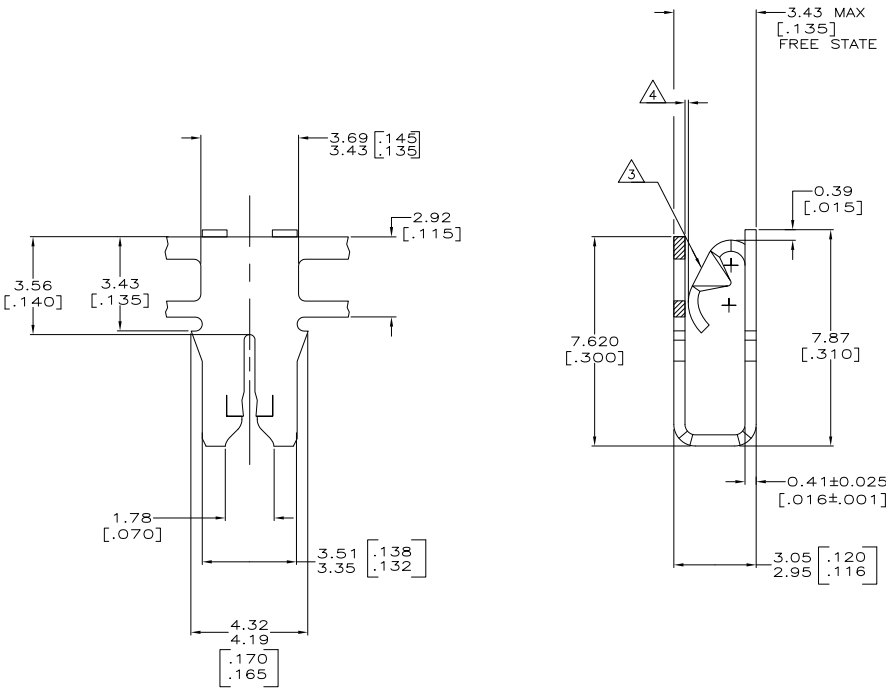
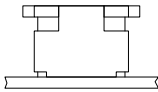
2

1

THIS DRAWING IS UNPUBLISHED. RELEASED FOR PUBLICATION
 BY TYCO ELECTRONICS CORPORATION. ALL RIGHTS RESERVED.

LOC	DIST	REVISIONS			
F	LR	DESCRIPTION	DATE	BY	APPD
A1		REVISED PER ECR-08-002950	06FEB08	HMR	KR

- 1 CONTINUOUS STRIP ON REELS WITH TERMINALS LOCATED ON 5.59±0.08 [.220±.003] CENTERS
- 2 SLOT ACCEPTS A 0.54-0.64mm [#23.5-#22] AWG COPPER MAGNET WIRE.
- 3 MATES WITH STANDARD MAG-MATE STYLED POKE-IN TAB TERMINAL.
- 4 WHEN FREE STATE IS COMPRESSED TO 3.23 [.127] DIMENSION GAP BETWEEN SPRING AND CARRIER IS TO BE 0.30 [.012] MAX.
- 5 0.002032 [.000080] MIN TIN OVER
0.00127 [.000050] MIN NICKEL UNDERPLATE.
- 6 PRELIMINARY - NOT FOR PRODUCTION



REVERSED	1217190-2	6
STANDARD	1217190-1	
REELING	PART NUMBER	

THIS DRAWING IS A CONTROLLED DOCUMENT.		DRW: MICHAEL S. FEHR 19NOV1999	Tyco Electronics Corporation	
DIMENSIONS: mm [INCHES]		CHK: KURT A. RANDOLPH 22NOV1999	Harrisburg, PA 17105-3608	
TOLERANCES UNLESS OTHERWISE SPECIFIED:		APPD: KURT A. RANDOLPH 23NOV1999	SPECIAL LEAF CONTACT, 300 SERIES MAG-MATE	
0 PLG ± -	1 PLG ± -	PRODUCT SPEC: 108-2012	SIZE: A2	CAGE CODE: 00779
2 PLG ± 0.25 (.010)	3 PLG ± -	APPLICATION SPEC: 114-2046	DRAWING NO: C=1217190	RESTRICTED TO: -
4 PLG ± -	ANGLES ± -	FINISH: 5	WEIGHT: -	
MATERIAL: 4M BRASS		CUSTOMER DRAWING	SCALE: 10:1	SHEET: 1 of 1
				REV: A1

AMP 1471-9 REV 31MM2000

1217190

A