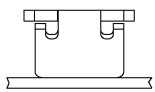


THIS DRAWING IS UNPUBLISHED. RELEASED FOR PUBLICATION.
 BY AMP INCORPORATED. ALL RIGHTS RESERVED.

LOC	DIST	REV	DESCRIPTION	DATE	BY	APP
AF	50					
		C	REVISED PER 063A-0706-03	20NOV03	JR	KR

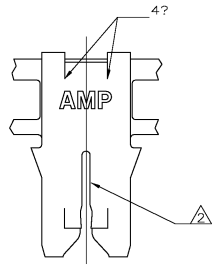
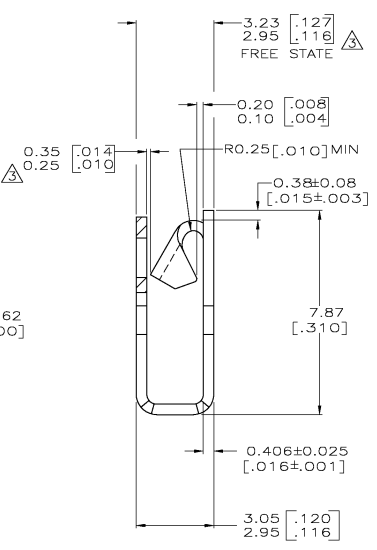
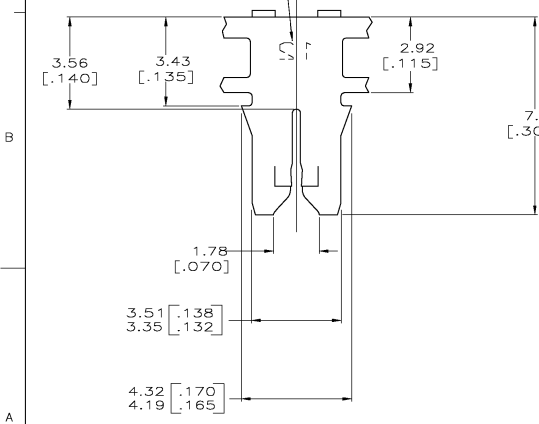


1 CONTINUOUS STRIP ON REELS (NO SPLICES) WITH TERMINALS LOCATED ON 5.59±0.08 [.220±0.003] CENTERS.
 SLOTTED STRIP ACCEPTS 0.45-0.64mm [#25-#22] AWG COPPER MAGNET WIRE. SINGLE OR DOUBLE WIRE OF THE SAME SIZE AND TYPE, EXCEPT 0.64mm [#22] AWG WHICH IS FOR ONE WIRE ONLY.
 GAGING: GO, 0.28 [.011] NO/GO, 0.38 [.015]. FREE STATE AND GAP AT CARRIER SIDE TO BE MAINTAINED PER CHART PROVIDED.

FREE STATE	CARRIER GAP
2.95-3.12 [.116-.123]	0.25-0.35 [.010-.014]
3.15 [.124]	0.28-0.35 [.011-.014]
3.18 [.125]	0.30-0.35 [.012-.014]
3.20 [.126]	0.33-0.35 [.013-.014]
3.23 [.127]	0.35 [.014]

CARRIER SIDE GAP 0.25-0.35 [.010-.014] TO BE CHECKED WHEN FREE STATE IS COMPRESSED TO 3.12 [.123].

- NO CRACKS OR TEARS PERMISSIBLE ALONG SHEAR AND BEND LINE
- SPECIAL BLACK COLORED CARDBOARD REELS
- PRELIMINARY - NOT FOR PRODUCTION



STANDARD	1217082-2
STANDARD	1217082-1
REELING	PART NUMBER

THIS DRAWING IS A CONTROLLED DOCUMENT.		DESIGNER: MICHAEL S. FEHER	DRAWN BY: JEFF R. RUTH	DATE: 10/15/03
DIMENSIONS: mm(INCHES)		TOLERANCES UNLESS OTHERWISE SPECIFIED:		
D	PLC	±		
F	PLC	±		
H	PLC	±		
K	PLC	±		
M	PLC	±		
N	PLC	±		
P	PLC	±		
Q	PLC	±		
R	PLC	±		
S	PLC	±		
T	PLC	±		
U	PLC	±		
V	PLC	±		
W	PLC	±		
X	PLC	±		
Y	PLC	±		
Z	PLC	±		
MATERIAL: UNS C511		FINISH: 0.0020/32 [.000080]		
HUR PHOS BRONZE		MIN TIN		
AMP SPEC 100-221		REWORK: -		
CUSTOMER DRAWING		SCALE: 10:1		
AMP INCORPORATED		HARRISBURG, PA 17105-3608		
TERMINAL, POKE-IN, 300 SERIES MAG-MATE		SIZE: A2		
GAGE CODE: 00779		DRAWING NO: 1217082		
RESTRICTED TO:		SCALE: 10:1		
REV C		SHEET 1 OF 1		

1217082